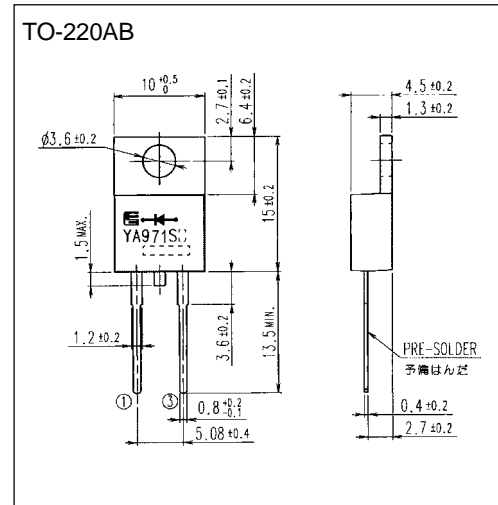


## Super LLD II (For PFC circuit) (current discontinuous mode)

### LOW LOSS SUPER HIGH SPEED RECTIFIER

#### ■ Outline drawings, mm



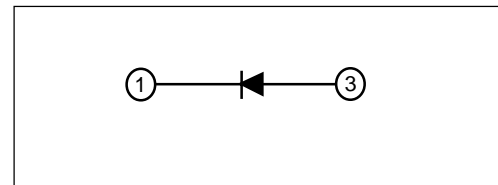
#### ■ Features

- Super high speed switching
- High reliability by planer design

#### ■ Applications

- PFC circuit (current continuous mode)

#### ■ Connection diagram



#### ■ Maximum ratings and characteristics

- Maximum ratings

Item	Symbol	Conditions	Rating	Unit
Repetitive peak reverse voltage	$V_{RRM}$		600	V
Average output current	$I_o$	Square wave duty=1/2, $T_c=116^{\circ}C$	8	A
Non-Repetitive surge current	$I_{FSM}$	Sine wave 10ms, 1shot	70	A
Operating junction temperature	$T_j$		150	$^{\circ}C$
Storage temperature	$T_{stg}$		-40 to +150	$^{\circ}C$

- Electrical characteristics ( $T_a=25^{\circ}C$  Unless otherwise specified)

Item	Symbol	Conditions	Characteristics	Unit
Forward voltage	$V_F$	$I_F=8A$	Max 1.55	V
Reverse current	$I_R$	$V_R=V_{RRM}$	Max. 10.0	$\mu A$
Reverse recovery time	$t_{rr}$	$I_F=0.1A, I_R=0.2A, I_{rec}=0.05A$	Max. 50.0	ns
Thermal resistance	$R_{th(j-c)}$	Junction to case	Max. 2.5	$^{\circ}C/W$

- Mechanical characteristics

Mounting torque	Recommended torque	0.3 to 0.5	N·m
Approximate mass		2.0	g

■ Characteristics

