

2-Phase Hybrid Stepping Motor

1.8°

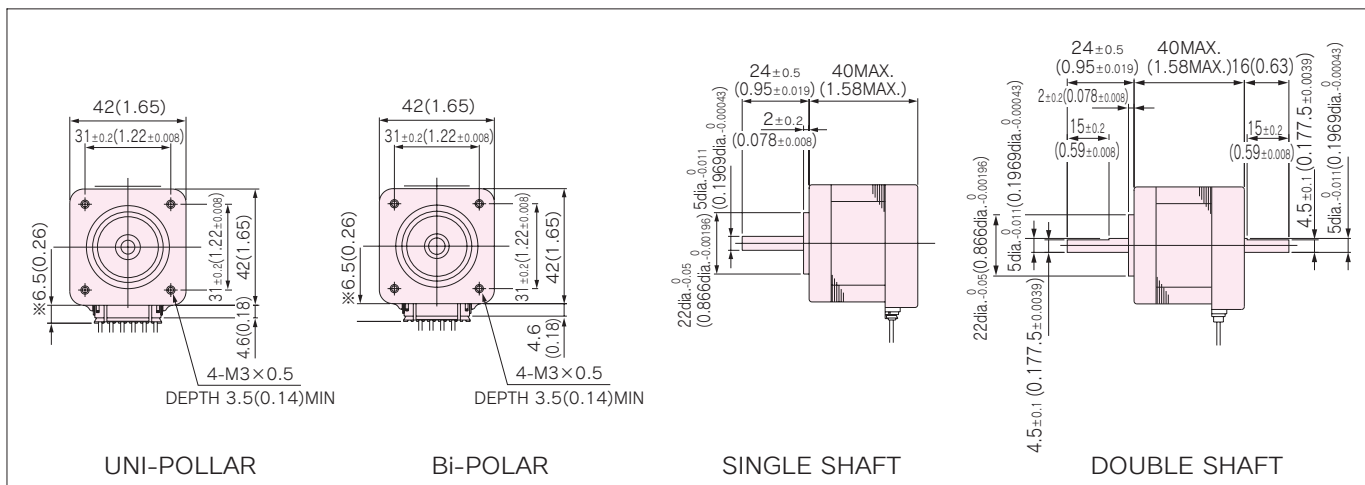
KH42 series

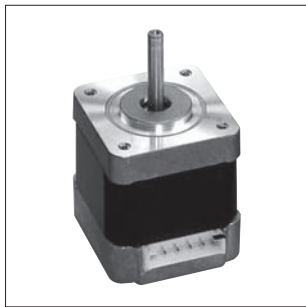
HIGH TORQUE, LOW VIBRATION AND LOW NOISE

STANDARD SPECIFICATIONS

| MODEL | KH42JM2 | | | | |
|-----------------------|----------------------|-------------------|------|------|----------|
| | SINGLE SHAFT | -901 | -902 | -903 | -951 |
| | DOUBLE SHAFT | -911 | -912 | -913 | -961 |
| DRIVE METHOD | ———— | UNI-POLAR | | | BI-POLAR |
| NUMBER OF PHASES | ———— | 2 | | | 2 |
| STEP ANGLE | deg./step | 1.8 | | | 1.8 |
| VOLTAGE | V | 3.42 | 4.4 | 9.25 | 4.59 |
| CURRENT | A/PHASE | 1.2 | 0.88 | 0.5 | 0.85 |
| WINDING RESISTANCE | Ω/PHASE | 2.85 | 5.5 | 18.5 | 5.4 |
| INDUCTANCE | mH/PHASE | 2.5 | 5.1 | 16.3 | 9.3 |
| HOLDING TORQUE | mN · m | 236 | 236 | 236 | 314 |
| | oz · in | 33 | 33 | 33 | 44 |
| DETENT TORQUE | mN · m | 14.7 | 14.7 | 14.7 | 14.7 |
| | oz · in | 2.1 | 2.1 | 2.1 | 2.1 |
| ROTOR INERTIA | g · cm ² | 56 | 56 | 56 | 56 |
| | oz · in ² | 0.3 | 0.3 | 0.3 | 0.3 |
| WEIGHTS | g | 260 | 260 | 260 | 260 |
| | lb | 0.57 | 0.57 | 0.57 | 0.57 |
| INSULATION RESISTANCE | ———— | 500VDC 100MΩmin. | | | |
| DIELECTRIC STRENGTH | ———— | 500VAC 50HZ 1min. | | | |
| OPERATING TEMP. RANGE | °C | 0 to 50 | | | |
| ALLOWABLE TEMP. RISE | K | 70 | | | |

DIMENSIONS unit = mm (inch)





Features

- Improved Dynamic Torque
(1.2 times torque of our previous model is generated at 300 r/min, on model : KH42JM2-901)
- Lowered Vibration & Noise Level
(by increased stiffness of body construction)
- Improved Efficiency
(1.1 times of our previous model, by high grade materials.)

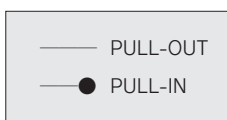
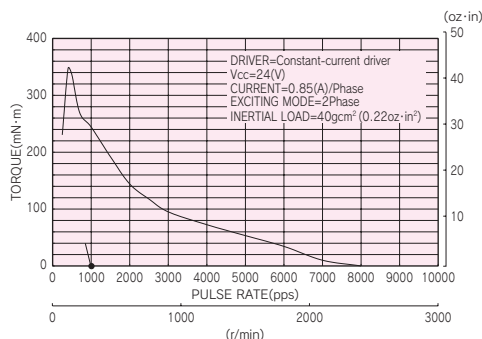
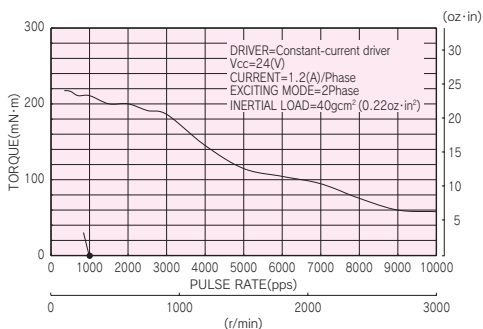
■ TORQUE CHARACTERISTICS vs. PULSE RATE

UNI-POLAR

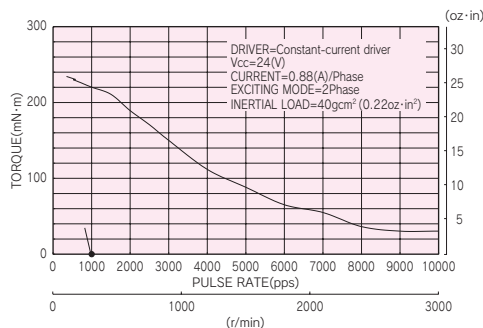
BI-POLAR

KH42JM2-901, 911

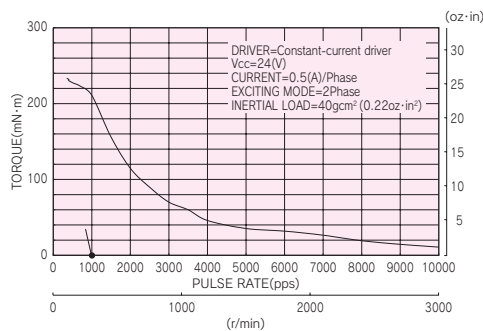
KH42JM2-951, 961



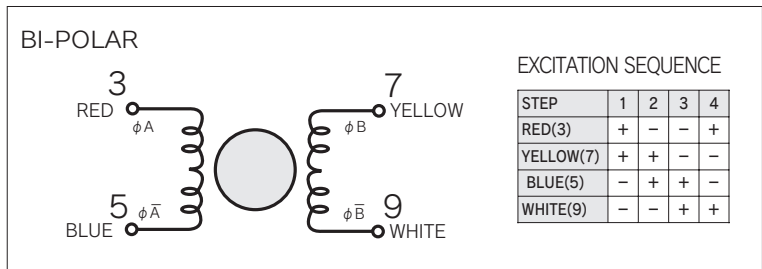
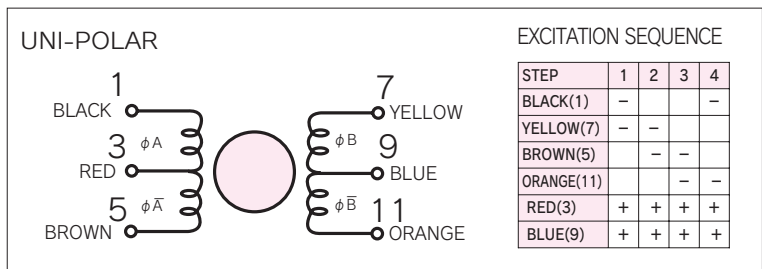
KH42JM2-902, 912



KH42JM2-903, 913



■ CONNECTION DIAGRAMS



■ CONNECTION CABLE TO MOTOR unit = mm (inch)

