



16mm Molded Case Rotary Potentiometer

16N2



Part Number

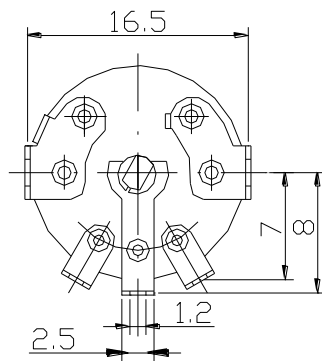
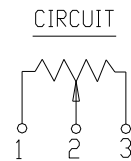
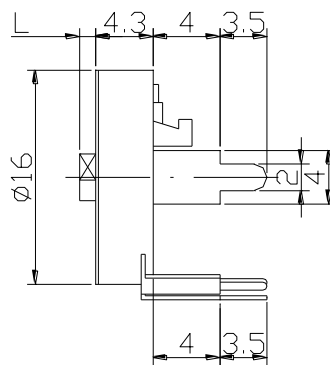
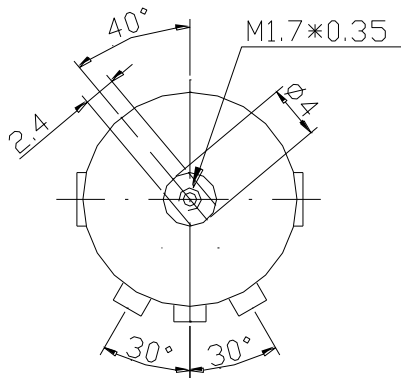
16N2 - B 50K , L- 1.2

Taper

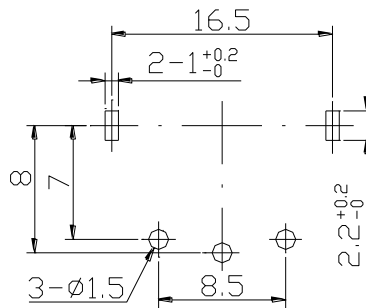
Shaft length

Resistance value

Dimensions 規格尺寸



P.C.B LAYOUT



Shaft Type

No Tap Type	
L	1.5-5.0
A	2.2±0/0.1
D	φ3.5

Tap Type	
L	1.0-5.0
A	2.2±0/0.1
D	φ3.5

Slotted Type	
L	1.5-5.0
A	2.2±0/0.1
D	φ3.5

**16mm Molded Case Rotary Potentiometer****General**

Operating temperature	-10 °C ~ +70 °C
Manual soldering	300 °C Max 3sec

Electrical Characteristics

Total resistance	500Ω ~ 500KΩ
Resistance tolerance	±20% (More than 1MΩ ±30%)
Resistance taper	A B C D
Residual resistance	20Ω Max
Sliding noise	Less than 100mV
Rated power(W)	B Taper : 0.1W Other : 0.05W
Max. Operating voltage	B Taper : AC 200V Other : AC 150V
Insulation resistance	More than 50MΩ at DC 500V
Withstand voltage	1 Minute at AC 500V

Mechanical Characteristics

Total rotational angle	260°±10°
Rotational torque	20 ~ 150 gf.cm
Shaft push-pull strength	1 Kgf.cm Max
Rotational stopper strength	2 Kgf.cm Max
Rotational life	10,000 Cycles