
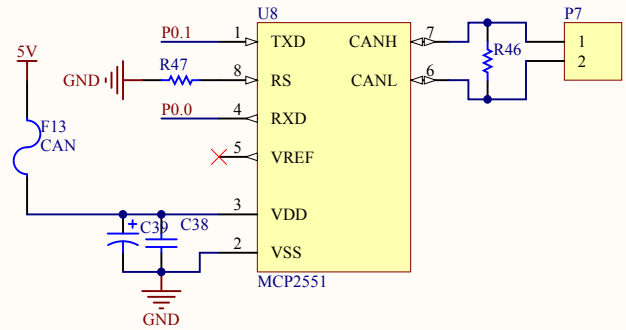
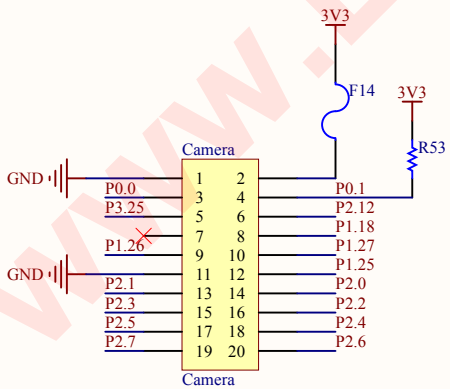
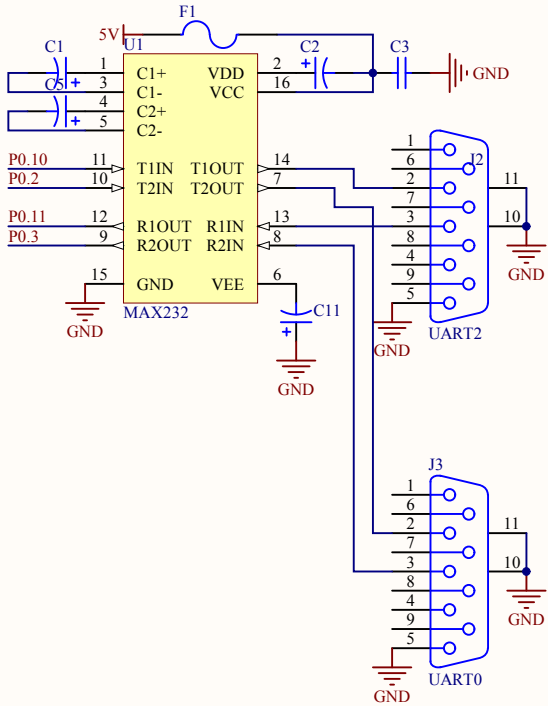
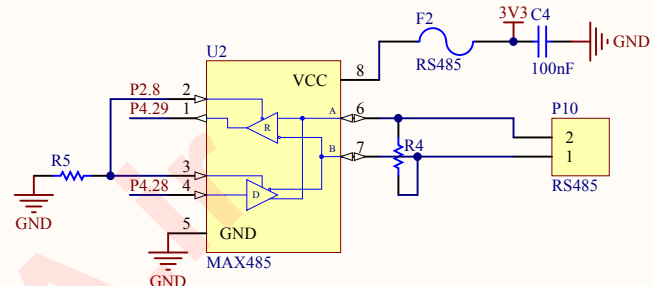
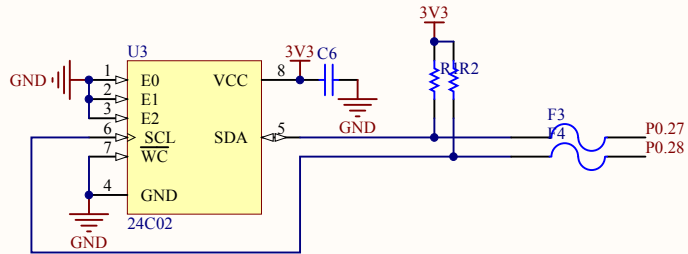
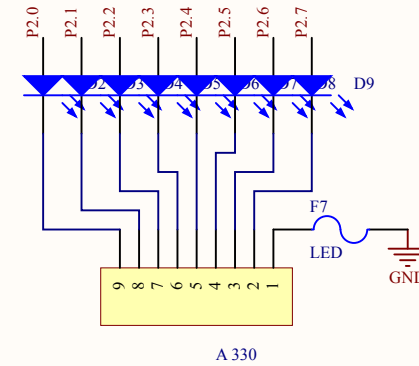
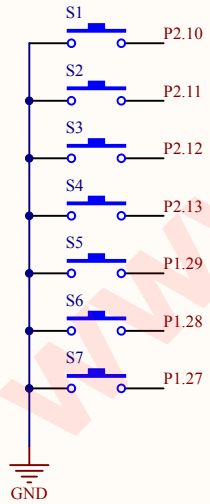
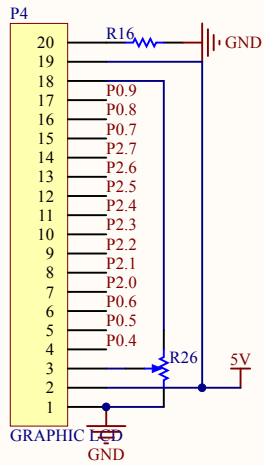
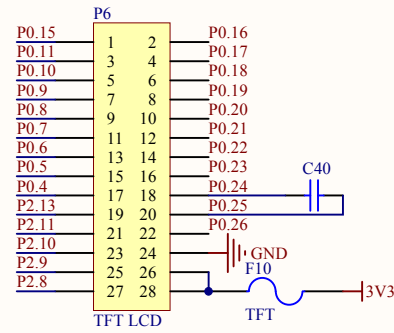
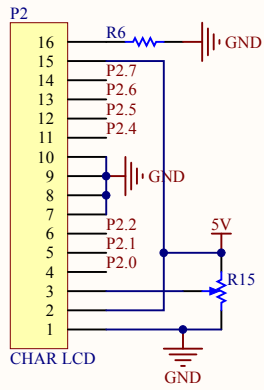
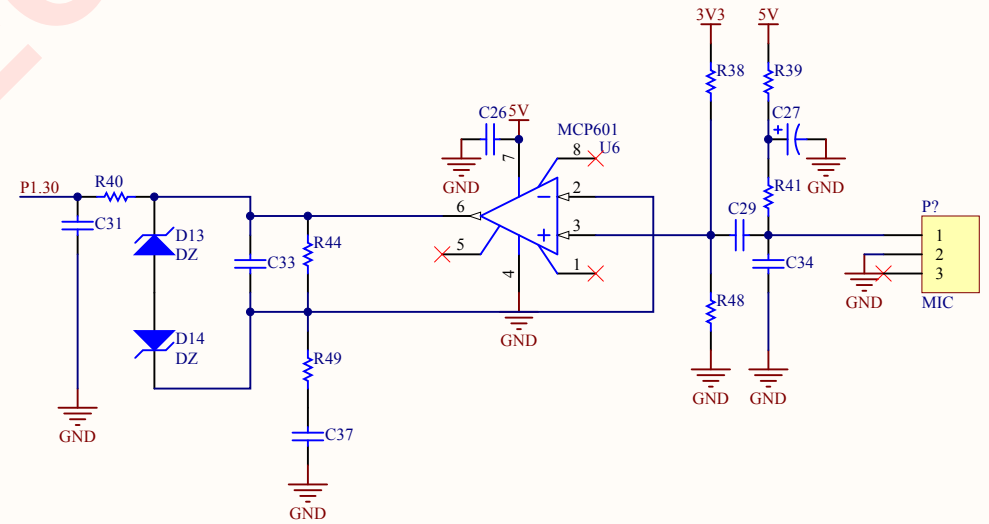
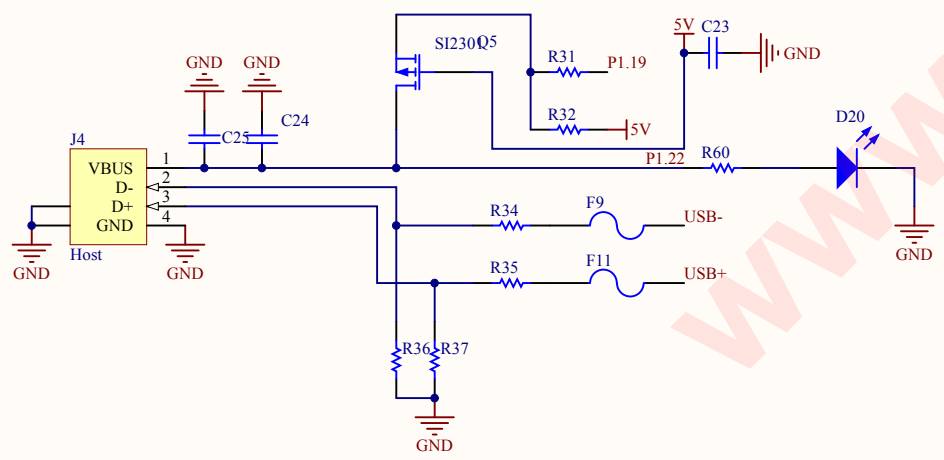
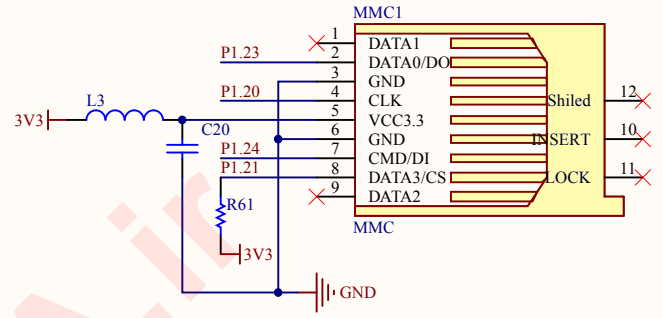
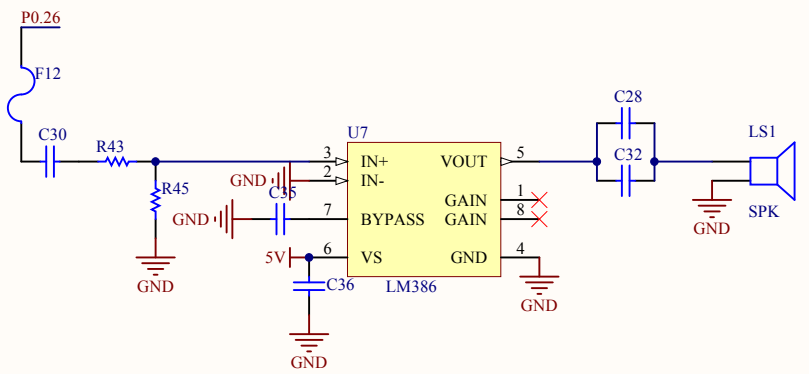


| | | | |
|---|----------------|-----------|---|
| Title | | | Altium Limited L3, 12a Rodborough Rd Frenchs Forest NSW Australia 2086 |
| Size: A4 | Number: | Revision: |  |
| Date: 03/25/2013 | Time: 09:19:45 | Sheet of | |
| File: C:\Users\FARSHAD\Desktop\1768 SHEM\1_SchDoc | | | |

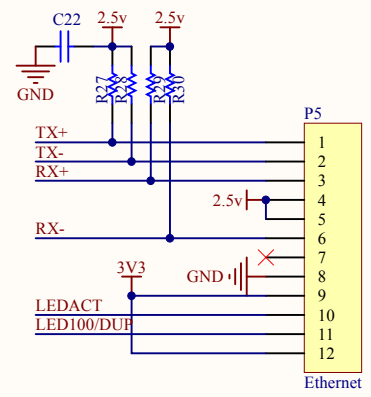
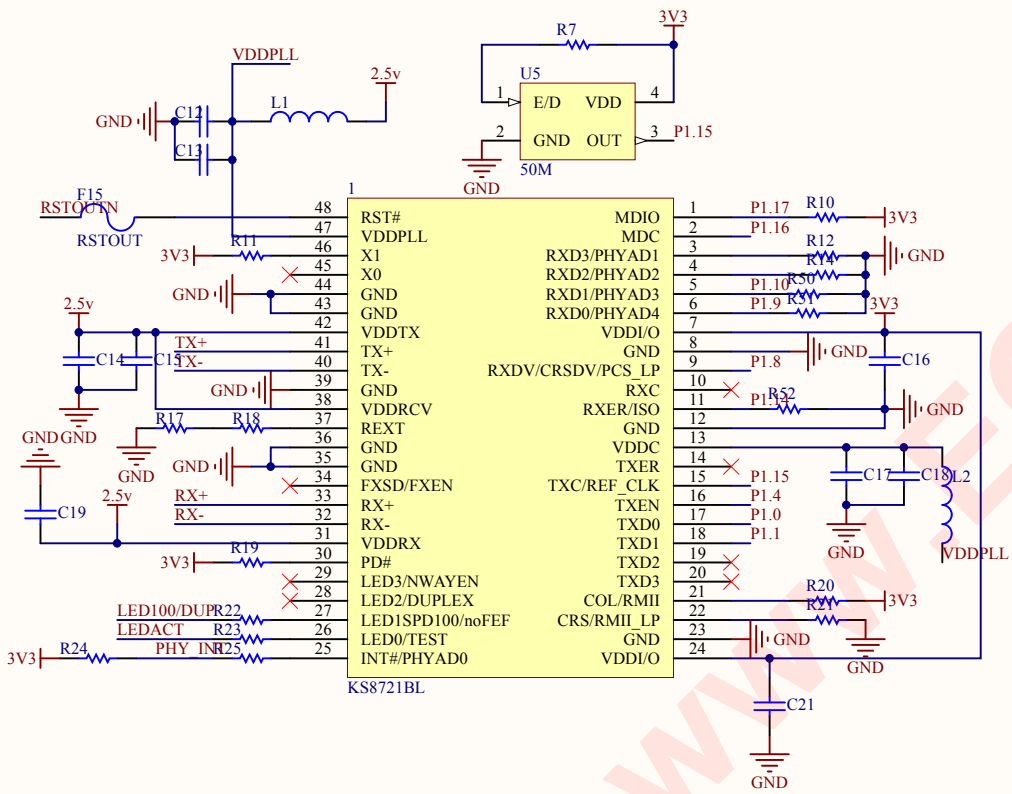




| | | |
|-----------------------------|-----------|----------|
| Title | | |
| Size A4 | Number | Revision |
| Date: 03/25/2013 | Sheet of | |
| File: C:\Users\...\3.SchDoc | Drawn By: | |



| | | |
|-------|-----------------------|-----------|
| Title | | |
| Size | Number | Revision |
| A4 | | |
| Date: | 03/25/2013 | Sheet of |
| File: | C:\Users\...\4.SchDoc | Drawn By: |



| | | |
|-------|-----------------------|-----------|
| Title | | |
| Size | Number | Revision |
| A4 | | |
| Date: | 03/25/2013 | Sheet of |
| File: | C:\Users\...\5.SchDoc | Drawn By: |