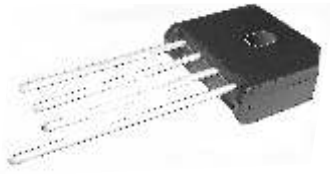


15 A Single-Phase Silicon Bridge Rectifier
Rectifier Reverse Voltage 50 to 1000V

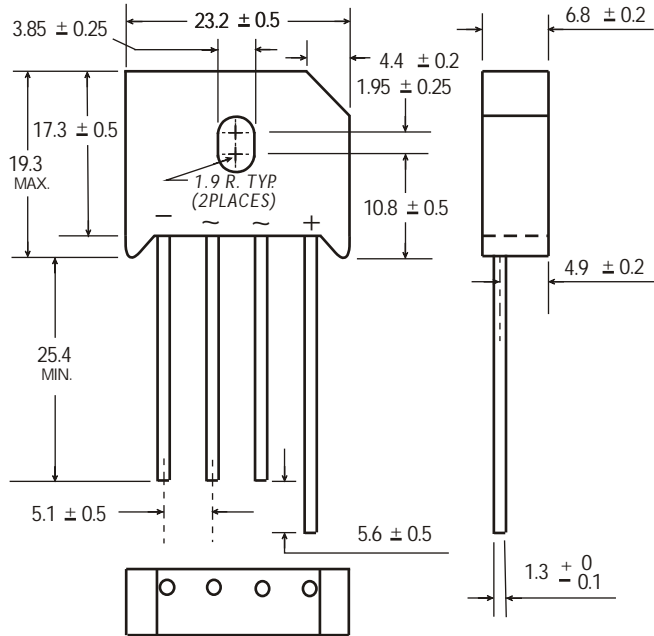


Features

- Ideal for P.C. Board mounting
- High surge current capability
- This series is UL listed under the Recognized Component Index, file number E142814
- The plastic material used carries Underwriters Laboratory flammability recognition 94V-0
- High temperature soldering guaranteed 265°C /10 seconds at 5 lbs (2.3kg) tension

Mechanical Data

Case: Molded plastic body
 Terminals: Plated leads solderable per MIL-STD-202, Method 208
 Polarity: Polarity symbols molded on body
 Mounting Position:: Any
 Mounting Torque: 5 in-lbs max.
 Weight: 0.3 ounce, 8.0 grams (approx)



Dimensions in millimeters(1mm =0.0394")

Maximum Ratings & Thermal Characteristics

Rating at 25°C ambient temperature unless otherwise specified, Resistive or Inductive load, 60 Hz.
 For Capacitive load derate current by 20%.

| Parameter | Symbol | KBU 15005 | KBU 1501 | KBU 1502 | KBU 1504 | KBU 1506 | KBU 1508 | KBU 1510 | unit |
|---|------------------|--------------|----------|----------|----------|----------|----------|----------|--------------------|
| Maximum repetitive peak reverse voltage | VRRM | 50 | 100 | 200 | 400 | 600 | 800 | 1000 | V |
| Maximum RMS bridge input voltage | VRMS | 35 | 70 | 140 | 280 | 420 | 560 | 700 | V |
| Maximum DC blocking voltage | VDC | 50 | 100 | 200 | 400 | 600 | 800 | 1000 | V |
| Maximum average forward rectified output current at TA=100°C | IF(AV) | 15 | | | | | | | A |
| Peak forward surge current single sine-wave superimposed on rated load (JEDEC Method) | IFSM | 300 | | | | | | | A |
| Rating for fusing (t<8.3ms) | I ² t | 300 | | | | | | | A ² sec |
| Typical thermal resistance per element (1) | ReJA | 2.7 | | | | | | | °C / W |
| Operating junction and storage temperature range | TJ, TSTG | -55 to + 150 | | | | | | | °C |

Electrical Characteristics

Rating at 25°C ambient temperature unless otherwise specified. Resistive or Inductive load, 60Hz.
 For Capacitive load derate by 20 %.

| Parameter | Symbol | KBU 15005 | KBU 1501 | KBU 1502 | KBU 1504 | KBU 1506 | KBU 1508 | KBU 1510 | Unit |
|---|--------|-----------|----------|----------|----------|----------|----------|----------|------|
| Maximum instantaneous forward voltage drop per leg at 7.5A | VF | 1.0 | | | | | | | V |
| Maximum DC reverse current at rated TA =25°C DC blocking voltage per element TA =125°C | IR | 10 500 | | | | | | | μA |

Notes: (1)Thermal resistance from Junction to Ambient on P.C.board mounting.

Rating and Characteristic Curves ($T_A=25^{\circ}\text{C}$ Unless otherwise noted) KBU15005 thru KBU1510

Fig. 1 Derating Curve for Output Rectified Current

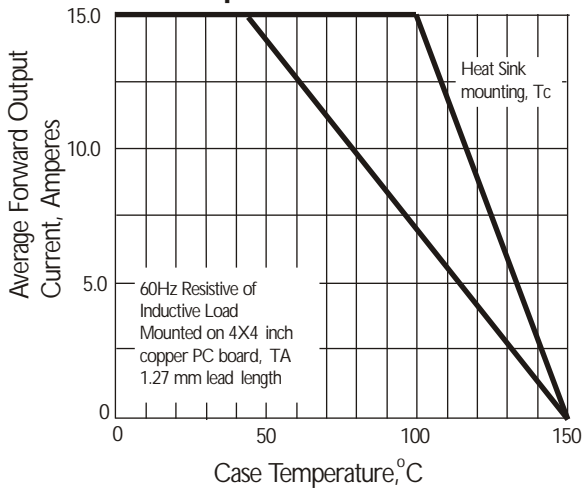


Fig. 2 Maximum Non-repetitive Peak Forward Surge Current

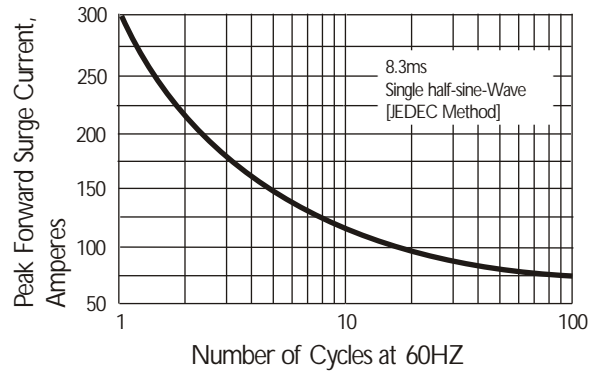


Fig. 3 Typical Instantaneous Forward Characteristics

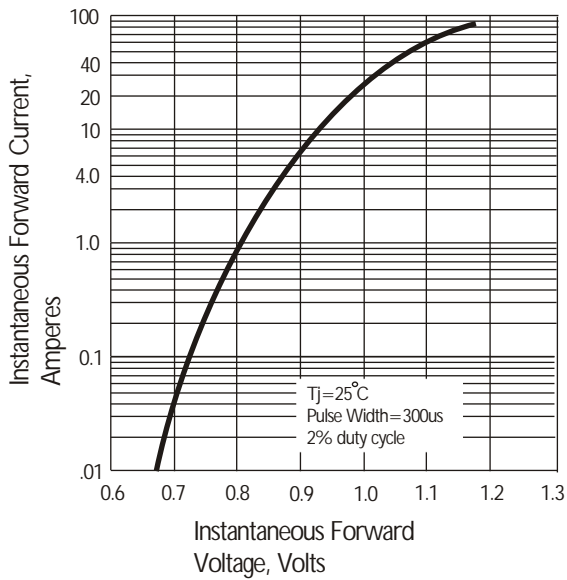


Fig. 4 Typical Reverse Characteristics

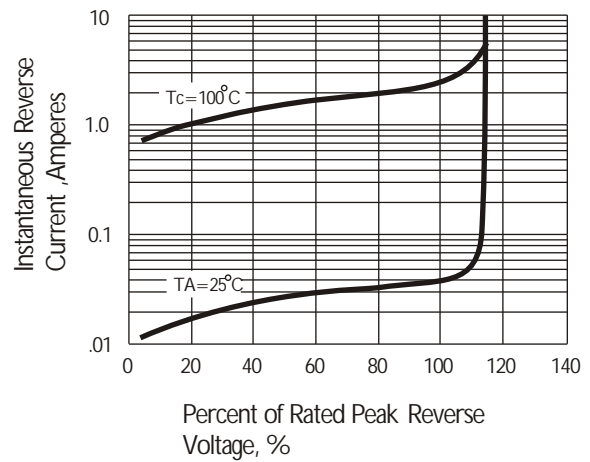


Fig. 5 Typical Junction Capacitance

