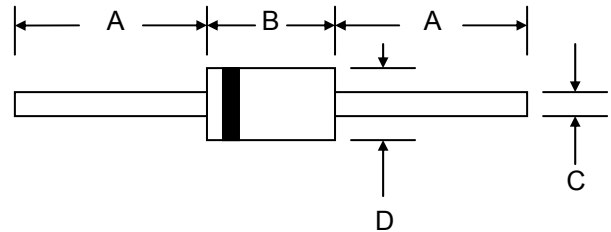


Features

- Glass Passivated Die Construction
- 600W Peak Pulse Power Dissipation
- 5.5V – 513V Standoff Voltage
- Uni- and Bi-Directional Versions Available
- Excellent Clamping Voltage
- Typical Response Time < 1nS
- Plastic Case Material has UL Flammability Classification Rating 94V-0



Mechanical Data

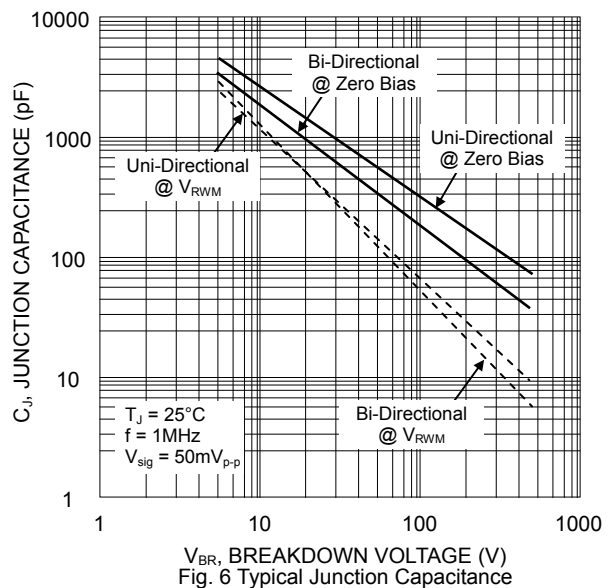
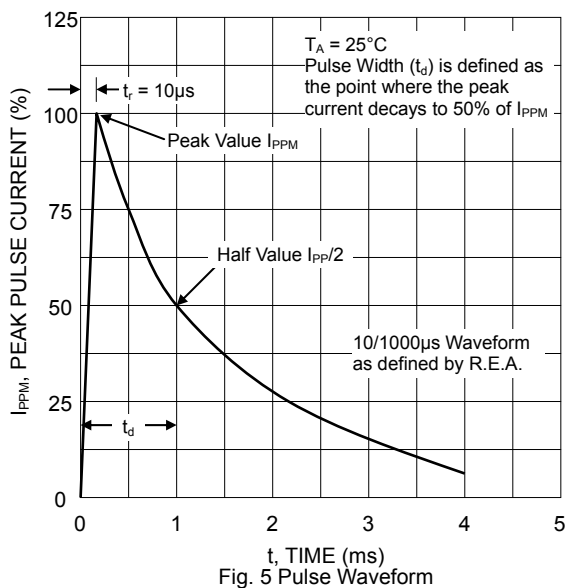
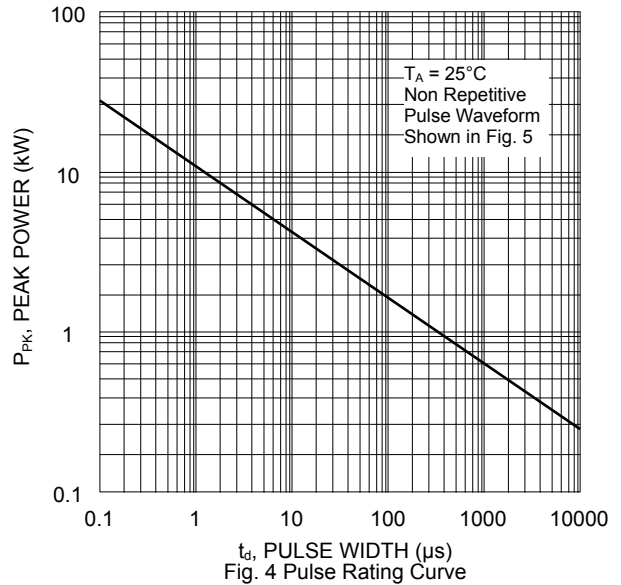
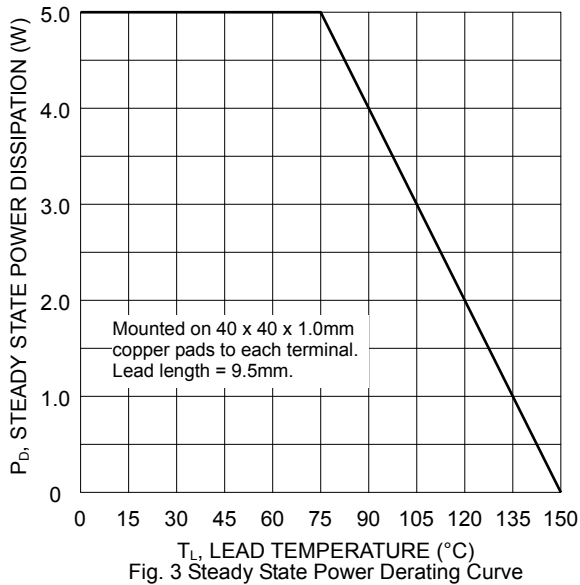
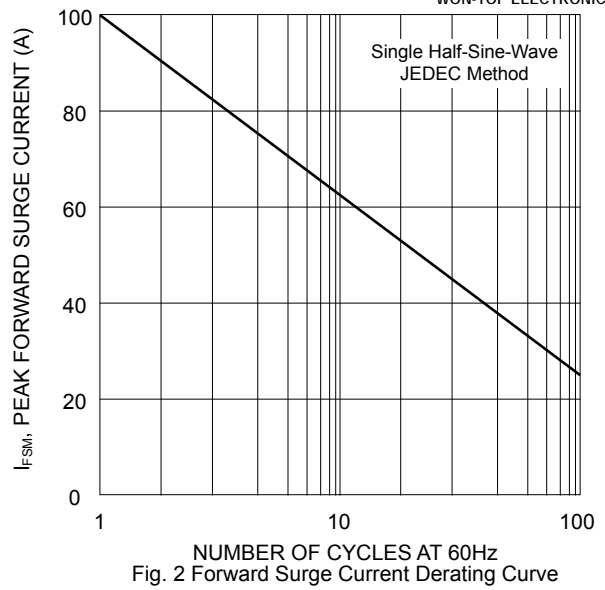
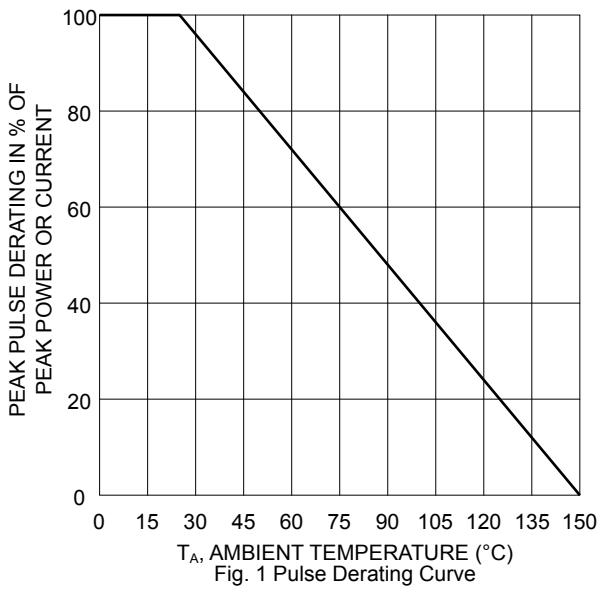
- Case: DO-15, Molded Plastic
- Terminals: Plated Leads Solderable per MIL-STD-202, Method 208
- Polarity: Cathode Band Except Bi-Directional
- Weight: 0.40 grams (approx.)
- Mounting Position: Any
- Marking: Type Number
- **Lead Free: For RoHS / Lead Free Version, Add "-LF" Suffix to Part Number, See Page 6**

DO-15		
Dim	Min	Max
A	25.4	—
B	5.50	7.62
C	0.71	0.864
D	2.60	3.60
All Dimensions in mm		

Maximum Ratings and Electrical Characteristics @ $T_A=25^\circ\text{C}$ unless otherwise specified

Characteristic	Symbol	Value	Unit
Peak Pulse Power Dissipation on 10/1000 μS Waveform (Note 1, 2, 5)	PPPM	600	W
Peak Pulse Current on 10/1000 μS Waveform (Note 1)	IPPM	See Table 1	A
Peak Forward Surge Current (Note 2, 3)	IFSM	100	A
Maximum Instantaneous Forward Voltage at 50A (Note 3, 4)	V_F	3.5 / 5.0	V
Power Dissipation at $T_L = 75^\circ\text{C}$ (Note 2)	P_D	5.0	W
Typical Thermal Resistance, Junction to Ambient (Note 2)	R_{JA}	75	$^\circ\text{C}/\text{W}$
Typical Thermal Resistance, Junction to Lead (Note 2)	R_{JL}	20	$^\circ\text{C}/\text{W}$
Operating and Storage Temperature Range	T_J, T_{STG}	-55 to +150	$^\circ\text{C}$

- Note: 1. Non-repetitive current pulse per Figure 5 and derated above $T_A = 25^\circ\text{C}$ per Figure 1.
 2. Mounted on 40 x 40 x 1.0mm thick copper pads to each terminal that maintained at a distance of 9.5mm from the case.
 3. Measured on 8.3ms single half sine-wave, duty cycle = 4 pulses per minute maximum. For uni-directional devices only.
 4. $V_F < 3.5\text{V}$ for $V_{BR} \leq 200\text{V}$ and $V_F < 5.0\text{V}$ for $V_{BR} \geq 201\text{V}$.
 5. Peak pulse power waveform is 10/1000 μS .



Electrical Characteristics (@T_A=25°C unless otherwise specified) Table 1

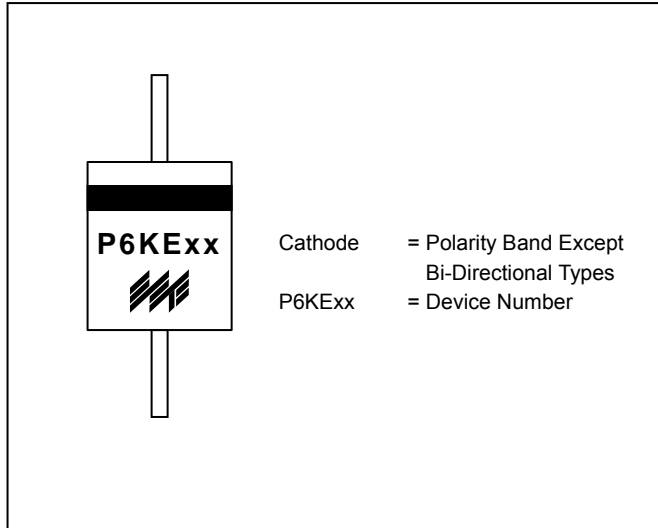
Uni-Directional Part No.	Bi-Directional Part No.	Reverse Stand-Off Voltage V _{RWM} (V)	Breakdown Voltage V _{BR} (V) @I _T		Test Current I _T (mA)	Maximum Clamping Voltage @I _{PP} V _C (V)	Peak Pulse Current I _{PP} (A)	Reverse Leakage* @V _{RWM} I _R (μA)
			Min.	Max.				
P6KE6.8	P6KE6.8C	5.5	6.12	7.48	10	10.8	55.56	1000
P6KE6.8A	P6KE6.8CA	5.8	6.46	7.14	10	10.5	57.14	1000
P6KE7.5	P6KE7.5C	6.1	6.75	8.25	10	11.7	51.28	500
P6KE7.5A	P6KE7.5CA	6.4	7.13	7.88	10	11.3	53.10	500
P6KE8.2	P6KE8.2C	6.6	7.38	9.02	10	12.5	48.00	200
P6KE8.2A	P6KE8.2CA	7.0	7.79	8.61	10	12.1	49.59	200
P6KE9.1	P6KE9.1C	7.4	8.19	10.01	1	13.8	43.48	50
P6KE9.1A	P6KE9.1CA	7.8	8.65	9.56	1	13.4	44.78	50
P6KE10	P6KE10C	8.1	9.00	11.00	1	15.0	40.00	10
P6KE10A	P6KE10CA	8.6	9.50	10.50	1	14.5	41.38	10
P6KE11	P6KE11C	8.9	9.90	12.10	1	16.2	37.04	5
P6KE11A	P6KE11CA	9.4	10.45	11.55	1	15.6	38.46	5
P6KE12	P6KE12C	9.7	10.80	13.20	1	17.3	34.68	5
P6KE12A	P6KE12CA	10.2	11.40	12.60	1	16.7	35.93	5
P6KE13	P6KE13C	10.5	11.70	14.30	1	19.0	31.58	1
P6KE13A	P6KE13CA	11.1	12.35	13.65	1	18.2	32.97	1
P6KE15	P6KE15C	12.1	13.50	16.50	1	22.0	27.27	1
P6KE15A	P6KE15CA	12.8	14.25	15.75	1	21.2	28.30	1
P6KE16	P6KE16C	12.9	14.40	17.60	1	23.5	25.53	1
P6KE16A	P6KE16CA	13.6	15.20	16.80	1	22.5	26.67	1
P6KE18	P6KE18C	14.5	16.20	19.80	1	26.5	22.64	1
P6KE18A	P6KE18CA	15.3	17.10	18.90	1	25.2	23.81	1
P6KE20	P6KE20C	16.2	18.00	22.00	1	29.1	20.62	1
P6KE20A	P6KE20CA	17.1	19.00	21.00	1	27.7	21.66	1
P6KE22	P6KE22C	17.8	19.80	24.20	1	31.9	18.81	1
P6KE22A	P6KE22CA	18.8	20.90	23.10	1	30.6	19.61	1
P6KE24	P6KE24C	19.4	21.60	26.40	1	34.7	17.29	1
P6KE24A	P6KE24CA	20.5	22.80	25.20	1	33.2	18.07	1
P6KE27	P6KE27C	21.8	24.30	29.70	1	39.1	15.35	1
P6KE27A	P6KE27CA	23.1	25.65	28.35	1	37.5	16.00	1
P6KE30	P6KE30C	24.3	27.00	33.00	1	43.5	13.79	1
P6KE30A	P6KE30CA	25.6	28.50	31.50	1	41.4	14.49	1
P6KE33	P6KE33C	26.8	29.70	36.30	1	47.7	12.58	1
P6KE33A	P6KE33CA	28.2	31.35	34.65	1	45.7	13.13	1
P6KE36	P6KE36C	29.1	32.40	39.60	1	52.0	11.54	1
P6KE36A	P6KE36CA	30.8	34.20	37.80	1	49.9	12.02	1
P6KE39	P6KE39C	31.6	35.10	42.90	1	56.4	10.64	1
P6KE39A	P6KE39CA	33.3	37.05	40.95	1	53.9	11.13	1
P6KE43	P6KE43C	34.8	38.70	47.30	1	61.9	9.69	1
P6KE43A	P6KE43CA	36.8	40.85	45.15	1	59.3	10.12	1
P6KE47	P6KE47C	38.1	42.30	51.70	1	67.8	8.85	1
P6KE47A	P6KE47CA	40.2	44.65	49.35	1	64.8	9.26	1
P6KE51	P6KE51C	41.3	45.90	56.10	1	73.5	8.16	1
P6KE51A	P6KE51CA	43.6	48.45	53.55	1	70.1	8.56	1
P6KE56	P6KE56C	45.4	50.40	61.60	1	80.5	7.45	1
P6KE56A	P6KE56CA	47.8	53.20	58.80	1	77.0	7.79	1
P6KE62	P6KE62C	50.2	55.80	68.20	1	89.0	6.74	1
P6KE62A	P6KE62CA	53.0	58.90	65.10	1	85.0	7.06	1
P6KE68	P6KE68C	55.1	61.20	74.80	1	98.0	6.12	1
P6KE68A	P6KE68CA	58.1	64.60	71.40	1	92.0	6.52	1
P6KE75	P6KE75C	60.7	67.50	82.50	1	108.0	5.56	1
P6KE75A	P6KE75CA	64.1	71.25	78.75	1	103.0	5.83	1
P6KE82	P6KE82C	66.4	73.80	90.20	1	118.0	5.08	1
P6KE82A	P6KE82CA	70.1	77.90	86.10	1	113.0	5.31	1
P6KE91	P6KE91C	73.7	81.90	100.10	1	131.0	4.58	1
P6KE91A	P6KE91CA	77.8	86.45	95.55	1	125.0	4.80	1
P6KE100	P6KE100C	81.0	90.00	110.00	1	144.0	4.17	1
P6KE100A	P6KE100CA	85.5	95.00	105.00	1	137.0	4.38	1
P6KE110	P6KE110C	89.2	99.00	121.00	1	158.0	3.80	1
P6KE110A	P6KE110CA	94.0	104.50	115.50	1	152.0	3.95	1
P6KE120	P6KE120C	97.2	108.00	132.00	1	173.0	3.47	1
P6KE120A	P6KE120CA	102.0	114.00	126.00	1	165.0	3.64	1
P6KE130	P6KE130C	105.0	117.00	143.00	1	187.0	3.21	1
P6KE130A	P6KE130CA	111.0	123.50	136.50	1	179.0	3.35	1

*For bi-directional devices V_{RWM} ≤ 10V, the I_R limit is double.

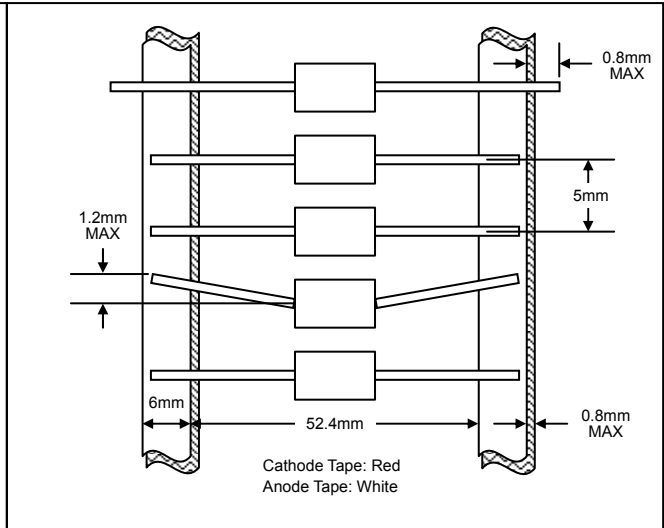
Electrical Characteristics (@T_A=25°C unless otherwise specified) Table 1 (Cont'd)

Uni-Directional Part No.	Bi-Directional Part No.	Reverse Stand-Off Voltage V _{RWM} (V)	Breakdown Voltage V _{BR} (V) @I _T		Test Current I _T (mA)	Maximum Clamping Voltage @I _{PP} V _C (V)	Peak Pulse Current I _{PP} (A)	Reverse Leakage* @V _{RWM} I _R (μA)
			Min.	Max.				
P6KE150	P6KE150C	121.0	135.00	165.00	1	215.0	2.79	1
P6KE150A	P6KE150CA	128.0	142.50	157.50	1	207.0	2.90	1
P6KE160	P6KE160C	130.0	144.00	176.00	1	230.0	2.61	1
P6KE160A	P6KE160CA	136.0	152.00	168.00	1	219.0	2.74	1
P6KE170	P6KE170C	138.0	153.00	187.00	1	244.0	2.46	1
P6KE170A	P6KE170CA	145.0	161.50	178.50	1	234.0	2.56	1
P6KE180	P6KE180C	146.0	162.00	198.00	1	258.0	2.33	1
P6KE180A	P6KE180CA	154.0	171.00	189.00	1	246.0	2.44	1
P6KE200	P6KE200C	162.0	180.00	220.00	1	287.0	2.09	1
P6KE200A	P6KE200CA	171.0	190.00	210.00	1	274.0	2.19	1
P6KE220	P6KE220C	175.0	198.00	242.00	1	344.0	1.74	1
P6KE220A	P6KE220CA	185.0	209.00	231.00	1	328.0	1.83	1
P6KE250	P6KE250C	202.0	225.00	275.00	1	360.0	1.67	1
P6KE250A	P6KE250CA	214.0	237.50	262.50	1	344.0	1.74	1
P6KE300	P6KE300C	243.0	270.00	330.00	1	430.0	1.40	1
P6KE300A	P6KE300CA	256.0	285.00	315.00	1	414.0	1.45	1
P6KE350	P6KE350C	284.2	315.00	385.00	1	504.0	1.19	1
P6KE350A	P6KE350CA	299.3	332.50	367.50	1	482.0	1.24	1
P6KE380	P6KE380C	308.6	342.00	418.00	1	547.2	1.10	1
P6KE380A	P6KE380CA	324.9	361.00	399.00	1	524.4	1.14	1
P6KE400	P6KE400C	324.8	360.00	440.00	1	574.0	1.05	1
P6KE400A	P6KE400CA	342.0	380.00	420.00	1	548.0	1.09	1
P6KE440	P6KE440C	357.3	396.00	484.00	1	631.0	0.95	1
P6KE440A	P6KE440CA	376.2	418.00	462.00	1	602.0	0.99	1
P6KE500	P6KE500C	406.0	450.00	550.00	1	720.0	0.83	1
P6KE500A	P6KE500CA	427.5	475.00	525.00	1	690.0	0.87	1
P6KE520	P6KE520C	422.2	468.00	572.00	1	748.8	0.80	1
P6KE520A	P6KE520CA	444.6	494.00	546.00	1	717.6	0.84	1
P6KE550	P6KE550C	446.6	495.00	605.00	1	792.0	0.76	1
P6KE550A	P6KE550CA	470.3	522.50	577.50	1	759.0	0.79	1
P6KE600	P6KE600C	487.2	540.00	660.00	1	864.0	0.69	1
P6KE600A	P6KE600CA	513.0	570.00	630.00	1	828.0	0.72	1

MARKING INFORMATION

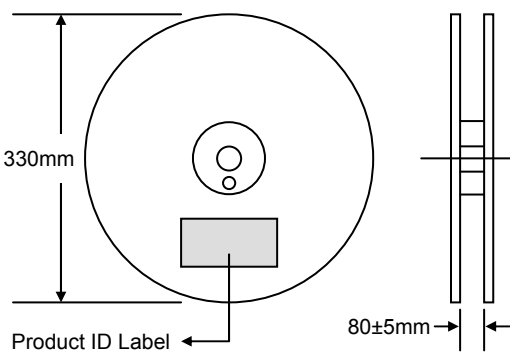


TAPING SPECIFICATIONS



PACKAGING INFORMATION

TAPE & REEL

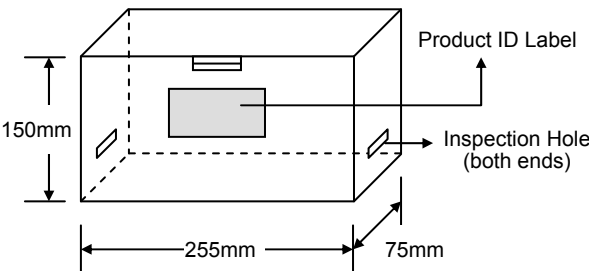


330mm

Product ID Label

80±5mm

TAPE & BOX



150mm

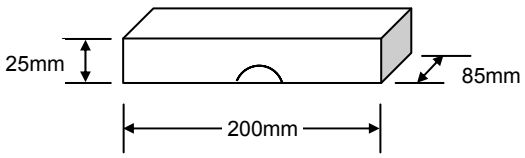
255mm

75mm

Product ID Label

Inspection Hole (both ends)

BULK



25mm

200mm

85mm


Packaging	Reel Diameter / Box Size (mm)	Quantity (PCS)	Carton Size (mm)	Quantity (PCS)	Approx. Gross Weight (KG)
TAPE & REEL	330	4,000	370 x 370 x 420	20,000	12.0
TAPE & BOX	255 x 75 x 150	3,000	400 x 273 x 415	30,000	15.0
BULK	200 x 85 x 25	1,000	459 x 214 x 256	40,000	17.5

Note: 1. Paper reel, white or gray color. Core material: plastic or metal.
2. Components are packed in accordance with EIA standard RS-296-E.

ORDERING INFORMATION

Product No.	Package Type	Shipping Quantity
P6KExx-T3	DO-15	4000/Tape & Reel
P6KExx-TB	DO-15	3000/Tape & Box
P6KExx	DO-15	1000 Units/Box

1. Products listed in **bold** are WTE **Preferred** Devices.
2. Shipping quantity given is for minimum packing quantity only. For minimum order quantity, please consult the Sales Department.
3. **To order RoHS / Lead Free version (with Lead Free finish), add "-LF" suffix to part number above. For example, P6KE6.8-TB-LF.**

WON-TOP ELECTRONICS and  are registered trademarks of Won-Top Electronics Co., Ltd (WTE). WTE has checked all information carefully and believes it to be correct and accurate. However, WTE cannot assume any responsibility for inaccuracies. Furthermore, this information does not give the purchaser of semiconductor devices any license under patent rights to manufacturer. WTE reserves the right to change any or all information herein without further notice.

WARNING: DO NOT USE IN LIFE SUPPORT EQUIPMENT. WTE power semiconductor products are not authorized for use as critical components in life support devices or systems without the express written approval.

Won-Top Electronics Co., Ltd.
No. 44 Yu Kang North 3rd Road,
Chine Chen Dist., Kaohsiung 806, Taiwan
Phone: 886-7-822-5408 or 886-7-822-5410
Fax: 886-7-822-5417
Email: sales@wontop.com
Internet: http://www.wontop.com

We power your everyday.