

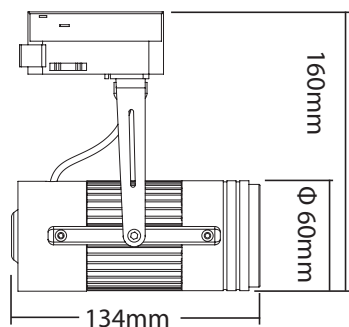


## 9W Track Light



- Commercial lighting
- Easy installation
- 80% energy saving, compared to traditional light sources

### Dimension



### Specification

Item	Specification
Power Consumption (W)	9
Input Voltage	AC 200-240 50Hz
Field Angles	50°(B.A. 24°)
Color Temperature	Cool White / Nature White / Warm White
CRI	90
Finished Colors	White

## Nomenclature

The following table describes the available colors, and angles.

**TL - EHR - 09 5 3 00 3**

X1                      X2                      X3                      X4                      X5                      X6                      X7

X1 Luminaire type	X2 Product name	X3 Wattage	X4 Field Angle
Track light	HR LED	09 = 9W	5 = 50°

X5 Color	X6 Cover	X7 Track
1 = Cool White 2 = Neutral White 3 = Warm White	00 = White	1 = 1-circuit 2 pins 3 = 3-circuit 4 pins

## Illuminance and Field Angles

### • Cool White /Neutral White/Warm White

Power Consumption(W)	Part Number	Beam Angles	Field Angles	CCT(Typ.)	Lm (Typ.)
9W	TL-EHR-095100x	24°	50°	5650~7000K	600
	TL-EHR-095200x			3800~4500K	600
	TL-EHR-095300x			2670~3050K	600