
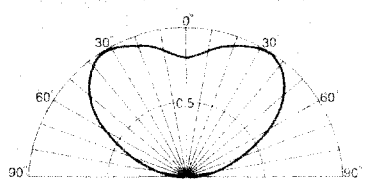


SURFACE MOUNT LED

▼RIGHT ANGLE TYPE LED

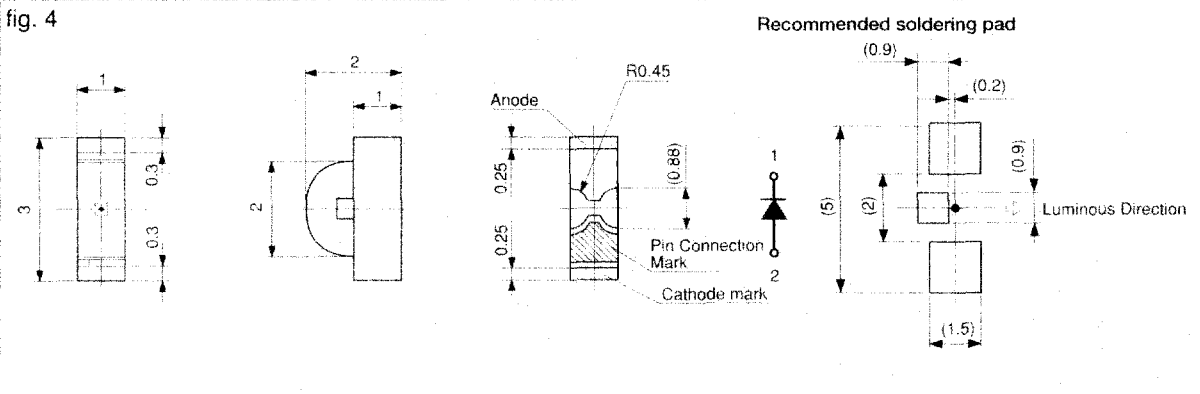
Ta=25°C

Shape	Type No.	Emitted Color	Package Color	Peak Wave Length (nm)	Luminous Intensity (mcd)			Spatial Distribution (The typical distribution example of each shape is shown below.)	fig.
					MIN.	TYP.	If(mA)		
	BR1101F	Red	Water Clear	660	6.2	12.4	20		4
	AA1101F	Orange		605	1.5	3.0	20		
	AY1101F	Yellow		580	1.5	3.0	20		
	PY1101F	Yellow		570	4.4	8.8	20		
	PG1101F	Green		560	2.6	5.2	20		
	BG1101F	Pure Green		555	1.2	2.4	20		

▼PACKAGE DIMENSIONS

Unit : mm

Tolerance : ±0.1mm

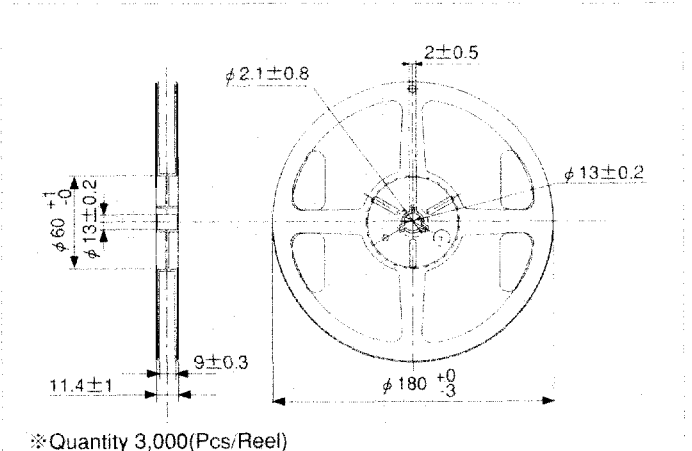
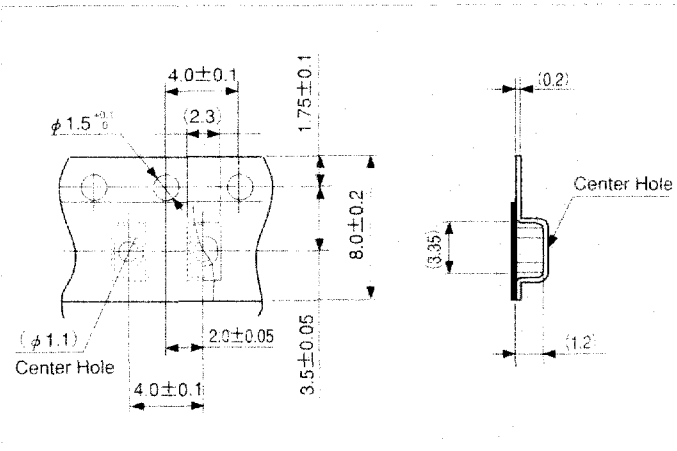


▼Taping specification

Unit : mm

▼Reel specification

Unit : mm



■NOTES ON MOUNTING

1. Soldering Pad

Although the pad at the center of the product has double functions of securing the mounting strength and preventing dislocation, mounting is possible without using this pad. However, please take into account the fact that the lack of this pad will result in a lower degree of product alignment and the mounting strength will reduce by 20 percent.

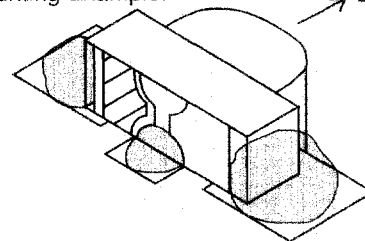
2. Soldering Paste

A reasonable amount of solder should be put on each solder pad to prevent the LED from shifting position during soldering. Please consider the viscosity index and solder characteristics when applying the proper amount of solder. Consider using low residual or non-residual type solder.
 ※The correct solder paste thickness during silk-screening is 200 to 300 μ.

3. Precautions

Even though the tape uses antistatic material, a certain level of static electricity can make the tape stick and should be controlled by the following:

Mounting Example.



- 1 Environment : It is recommended that the amount of static electricity be maintained at less than 100V (by controlling the humidity).
- 2 Peeling speed of tape : It is recommended that the speed be 10mm / second or less.
- 3 Other : Use equipment for removing static electricity such the flow of ionized air.
4. When flux remains on the LED .
If solder of flux remains on the LED lens, optical performance is reduced. Please refer to "5 . Cleaning" on the page 62.

Mouser Electronics

Authorized Distributor

Click to View Pricing, Inventory, Delivery & Lifecycle Information:

[Stanley Electric:](#)

[PY1101F-TR](#) [BR1101F-TR](#) [BG1101F-TR](#) [PG1101F-TR](#) [AY1101F-TR](#)