



[www.lidl-service.com](http://www.lidl-service.com)



## DIGITAL SOLDERING STATION PLSD 48 A1

GB IE NI

### DIGITAL SOLDERING STATION

Translation of the original instructions

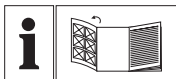
DE AT CH

### DIGITALE LÖTSTATION

Originalbetriebsanleitung

IAN 303729

GB IE  
NI



GB IE NI

Before reading, unfold the page containing the illustrations and familiarise yourself with all functions of the device.

---

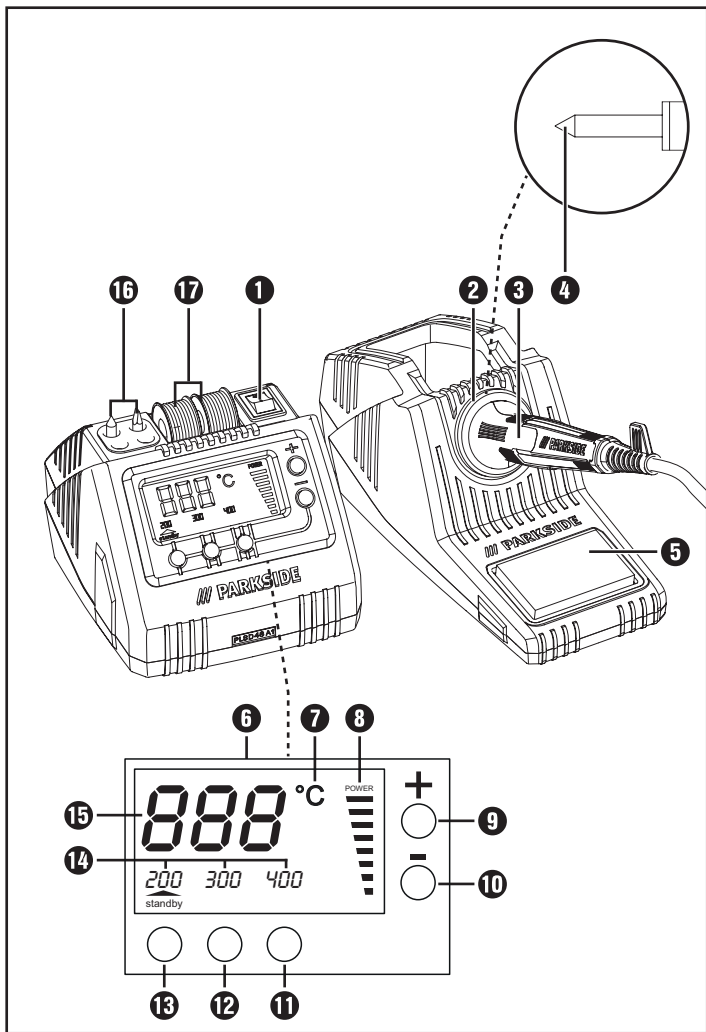
DE AT CH

Klappen Sie vor dem Lesen die Seite mit den Abbildungen aus und machen Sie sich anschließend mit allen Funktionen des Gerätes vertraut.

---

GB/IE/NI	Translation of the original instructions	Page 1
DE/AT/CH	Originalbetriebsanleitung	Seite 19

---



## Contents

<b>Introduction</b> .....	<b>2</b>
Intended use .....	2
Features .....	3
Included in delivery .....	3
Technical data .....	3
<b>Safety</b> .....	<b>4</b>
Safety information .....	4
<b>Before use</b> .....	<b>7</b>
Inserting/replacing the soldering tip .....	7
<b>Initial operation</b> .....	<b>7</b>
Switching on and off .....	7
Standby mode .....	8
Setting the temperature .....	9
Soldering sponge .....	11
Soldering .....	11
<b>Maintenance and cleaning</b> .....	<b>12</b>
<b>Disposal</b> .....	<b>13</b>
Disposal of the appliance .....	13
<b>Kompernass Handels GmbH warranty</b> .....	<b>14</b>
<b>Service</b> .....	<b>16</b>
<b>Importer</b> .....	<b>16</b>
<b>Translation of the original Conformity Declaration</b> .	<b>17</b>

# **DIGITAL SOLDERING STATION PLSD 48 A1**

## **Introduction**

Congratulations on the purchase of your new appliance. You have chosen a high-quality product. The operating instructions are part of this product. They contain important information about safety, usage and disposal. Before using the product, please familiarise yourself with all operating and safety instructions. Use the product only as described and for the range of applications specified. Please also pass these operating instructions on to any future owner.

## **Intended use**

This appliance is intended for electronic soldering for leisure and DIY purposes. It is designed for applications such as soldering, welding of plastics and the application of ornamentation. Use this product only as described and for the areas of applications specified. The appliance is not intended for commercial use. Any other usage or modification of the appliance is deemed to be improper and carries a significant risk of accidents. The manufacturer accepts no responsibility for damage(s) attributable to misuse.

## Features

- 1 ON/OFF switch
- 2 Holder for soldering iron
- 3 Soldering iron
- 4 Soldering tip
- 5 Soldering sponge
- 6 LC display
- 7 Temperature unit display
- 8 POWER display (heat supply to soldering iron)
- 9 + button (working temperature)
- 10 – button (working temperature)
- 11 Preset temperature (400°C)
- 12 Preset temperature (300°C)
- 13 Preset temperature (200°C)
- 14 Preset temperature display
- 15 Actual/target temperature/heating-up temperature
- 16 Storage compartment for soldering tip
- 17 Solder

## Included in delivery

- 1 Digital Soldering Station PLSD 48 A1  
incl. 3 standard soldering tips (1 pre-fitted)
- 1 solder,  $\varnothing$  1.0 mm, 10 g
- 1 solder,  $\varnothing$  1.5 mm, 10 g
- 1 soldering sponge
- 1 set of operating instructions

## Technical data

- Rated voltage: 230 V ~ (alternating current)
- Rated frequency: 50 Hz
- Rated power consumption: 48 W
- Temperature range: 200-450°C
- Mains cable: 1.5 m from the power plug to the station;  
1.2 m from the soldering iron to the station



## Safety

### Safety information

#### **⚠ WARNING!**

- ▶ Read all safety warnings and all instructions. Failure to follow the warnings and instructions may result in electric shock, fire and/or serious injury.

#### **The soldering station is suitable for indoor use only.**

- This appliance may be used by children aged 8 years and above and by persons with limited physical, sensory or mental capabilities or lack of experience and knowledge, provided that they are under supervision or have been told how to use the appliance safely and are aware of the potential risks. Do not allow children to use the appliance as a toy. Cleaning and user maintenance tasks must not be carried out by children unless they are supervised.

- To avoid potential risks, damaged mains cables should be replaced by the manufacturer, their customer service department or a similarly qualified person.



**CAUTION - RISK OF ELECTRIC SHOCK! Do not use the soldering station if the handle, the mains cable or the plug are damaged. Never open the appliance!**

### **Residual risks**

- **RISK OF BURNS!** Do not touch the heated soldering tip or the molten solder. There is a risk of being burnt. Always allow the appliance to cool down completely before changing, cleaning or checking components.
- After work, allow the soldering iron to cool down in the air only. Do not attempt to quench it with water!
- **CAUTION! RISK OF FIRE!** Put down the soldering iron only into the special holder or onto another fireproof surface.
- During breaks from work, the soldering iron must be placed into the holder.
- Keep the appliance away from flammable material.
- Never leave a switched-on appliance unsupervised.
- **CAUTION! RISK OF INJURY!** Keep your hands away from the heated workpiece. The heat can be emitted through the workpiece.



- Avoid contact between the hot soldering tip and the plastic parts of the holder. Otherwise, the appliance might be damaged.
- In case of danger, remove the plug from the socket immediately.
- **CAUTION! RISK OF POISONING!** Do not breathe in vapours.
- During work over an extended period in which hazardous vapours can be created, always ensure sufficient ventilation of the workplace. In addition, protective gloves, a face mask and work apron are recommended.
- Avoid eating, drinking and smoking in rooms where soldering work is taking place. Otherwise, lead residues on your hands might contaminate the food, drink or cigarettes and be absorbed into your body.
- Always wash your hands thoroughly after soldering.
- Do not dispose of solder waste in normal domestic waste! Solder waste should be disposed of with hazardous waste.

## Before use

### Inserting/replacing the soldering tip

#### CAUTION! RISK OF BURNS!

- ▶ Never heat the soldering iron ③ without a soldering tip ④.
- The soldering tip ④ may only be removed when the appliance is switched off and the soldering tip ④ has cooled down.
- The soldering tip ④ has a screw thread and it can therefore be replaced quickly and easily on the soldering iron ③.
  - ◆ Screw out the soldering tip ④ in counter-clockwise direction.
  - ◆ Screw in the soldering tip ④ in clockwise direction.

## Initial operation

### Switching on and off

#### Switching on:

- ◆ Plug the mains plug into an appropriate wall socket and press the ON/OFF switch ① to position "I".
- The last preset temperature (300°C in initial operation) is shown for 3 seconds on the LC display ⑥.  
After that time, the LC display ⑥ shows the current actual temperature ⑬.

#### NOTE

- ▶ Before using the soldering station for the first time and also before using a new soldering tip, the soldering tip ④ must be tinned.

## Standby mode

If the soldering iron is not used for 30 minutes, the soldering station will go into standby mode.

- In the standby mode, the LC display **6** shows a temperature of 200 °C. At the same time, full-screen flashes on the LC display **6**.
- ◆ Press any optional button to end the standby mode and set the desired temperature as described below.

### Switching off:

#### NOTE

- ▶ After use, always put the soldering iron **3** back into the holder for the soldering iron **2**.
- ◆ Move the ON/OFF switch **1** to position "0". Always remove the plug from the socket when not in use.

## Setting the temperature

### NOTE

- ▶ Fault-free soldering requires the use of appropriate solders. Furthermore, it is not possible to make perfect soldered joints unless the correct soldering temperature is used. If the soldering temperature is too low, the solder is not sufficiently fluid and causes dirty solder joints (so-called cold solder joints). If the soldering temperature is too high, the soldering agent can burn and the solder does not flow. In addition, the materials to be processed can be destroyed.

Use the temperature settings below for the most common applications. These may vary depending on the solder/manufacturer.

- 200°C melting point of the most frequently used soft solders.
- 300°C normal operation, e.g. when using lead-free solder.
- 400°C high soldering temperature, e.g. for de-soldering small solder joints.
- 450°C maximum soldering temperature, e.g. for de-soldering larger solder joints.

## Setting the working temperature

- ◆ Press the + / – buttons **9** / **10** to set the working temperature in steps of 10°C.  
The current target temperature **15** is shown on the LC display **6**.

### NOTE

- ▶ Press the + / – buttons **9** / **10** to change the working temperature continuously in steps of 10°C.  
Release the + / – buttons **9** / **10** when the desired temperature is reached.
- If the + / – buttons **9** / **10** are not pressed again, the heating-up temperature **15** is shown on the LC display **6** after 3 seconds.

## Set the programmed temperature

In addition to the temperature setting using the + / – buttons **9** / **10**, there are 3 preset temperatures: 200°C / 300°C / 400°C.

- ◆ Press preset temperature **11** or **12** or **13** to adjust the desired preset temperature.  
The preset temperature is shown with an arrow on the display **14**.

## Soldering sponge

### CAUTION!

- ▶ The hot soldering tip **4** must never come into contact with a dry soldering sponge **5**. Otherwise, the soldering sponge **5** can be damaged.

### NOTE

- ▶ The soldering sponge **5** is used to clean the soldering tip **4**.
- ▶ Dampen the soldering sponge **5** before use.

## Soldering



Vapours can lead to headaches and fatigue if inhaled.

- The soldering iron has a rated power output of 48 watts and is ideal for electronic solders.
- Its design makes it especially suitable for difficult-to-access and fine soldering work.
  - ◆ Clean the soldering tip **4** on the moist soldering sponge **5**.
  - ◆ After cleaning, the soldering tip **4** must be tinned. Tin the hot soldering tip **4** by melting the solder **17**.
  - ◆ Guide the soldering tip **4** to the solder joint and heat it.
  - ◆ Place the solder **17** between the solder joint and soldering tip **4** to melt it.
  - ◆ Keep adding in solder **17** until the entire solder joint is covered.
  - ◆ Then withdraw the soldering tip **4** immediately to prevent overheating the molten solder.
  - ◆ Allow the solder to harden and avoid vibrations.

**NOTE**

- ▶ The flux is either included in the solder or applied separately. When buying the solder, ask about its use and the appropriate flux.

## Maintenance and cleaning



**WARNING! RISK OF INJURY! Always pull the plug out of the socket and let the appliance cool down before you carry out any work on the appliance.**

- Always clean the appliance after completion of work.
- To clean the housing, use a cloth and a mild detergent if necessary.
- Never use sharp objects, petrol, solvents or cleaning agents that can damage plastic.
- Do not allow any liquids to get into the interior of the appliance.

**NOTE**

- ▶ You can order spare parts (such as solder tips) via our service hotline.

# Disposal

## Disposal of the appliance



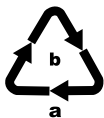
The packaging is made from environmentally friendly material and can be disposed of at your local recycling plant.



**Do not dispose of power tools in your normal household waste!**

European Directive 2012/19/EU requires that worn-out power tools be collected separately and recycled in an environmentally compatible manner.

Your local community or municipal authorities can provide information on how to dispose of the appliance.



Dispose of the packaging in an environmentally friendly manner.

Note the labelling on the packaging and separate the packaging material components for disposal if necessary. The packaging material is labelled with abbreviations (a) and numbers (b) with the following meanings:

1–7: Plastics,

20–22: Paper and cardboard,

80–98: Composites



Your local community or municipal authorities can provide information on how to dispose of the worn-out product.



# Kompernass Handels GmbH warranty

Dear Customer,

This appliance has a 3-year warranty valid from the date of purchase. If this product has any faults, you, the buyer, have certain statutory rights. Your statutory rights are not restricted in any way by the warranty described below.

## Warranty conditions

The validity period of the warranty starts from the date of purchase. Please keep your original receipt in a safe place. This document will be required as proof of purchase.

If any material or production fault occurs within three years of the date of purchase of the product, we will either repair or replace the product for you at our discretion. This warranty service is dependent on you presenting the defective appliance and the proof of purchase (receipt) and a short written description of the fault and its time of occurrence.

If the defect is covered by the warranty, your product will either be repaired or replaced by us. The repair or replacement of a product does not signify the beginning of a new warranty period.

## Warranty period and statutory claims for defects

The warranty period is not prolonged by repairs effected under the warranty. This also applies to replaced and repaired components. Any damage and defects present at the time of purchase must be reported immediately after unpacking. Repairs carried out after expiry of the warranty period shall be subject to a fee.

## Scope of the warranty

This appliance has been manufactured in accordance with strict quality guidelines and inspected meticulously prior to delivery.

The warranty covers material faults or production faults. The warranty does not extend to product parts subject to normal wear and tear or fragile parts such as switches, batteries, baking moulds or parts made of glass.

The warranty does not apply if the product has been damaged, improperly used or improperly maintained. The directions in the operating instructions for the product regarding proper use of the product are to be strictly followed. Uses and actions that are discouraged in the operating instructions or which are warned against must be avoided.

This product is intended solely for private use and not for commercial purposes. The warranty shall be deemed void in cases of misuse or improper handling, use of force and modifications / repairs which have not been carried out by one of our authorised Service centres.

## Warranty claim procedure

To ensure quick processing of your case, please observe the following instructions:

- Please have the till receipt and the item number (e.g. IAN 12345) available as proof of purchase.
- You will find the item number on the type plate, an engraving on the front page of the instructions (bottom left), or as a sticker on the rear or bottom of the appliance.
- If functional or other defects occur, please contact the service department listed either by **telephone** or by **e-mail**.
- You can return a defective product to us free of charge to the service address that will be provided to you. Ensure that you enclose the proof of purchase (till receipt) and information about what the defect is and when it occurred.



You can download these instructions along with many other manuals, product videos and software on [www.lidl-service.com](http://www.lidl-service.com).

## Service

**GB Service Great Britain**

Tel.: 0871 5000 720 (£ 0.10/Min.)

E-Mail: [kompernass@lidl.co.uk](mailto:kompernass@lidl.co.uk)

**IE Service Ireland**

Tel.: 1890 930 034

(0,08 EUR/Min., (peak))

(0,06 EUR/Min., (off peak))

E-Mail: [kompernass@lidl.ie](mailto:kompernass@lidl.ie)

IAN 303729

## Importer

Please note that the following address is not the service address. Please use the service address provided in the operating instructions.

KOMPERNASS HANDELS GMBH

BURGSTRASSE 21

DE-44867 BOCHUM

GERMANY

[www.kompernass.com](http://www.kompernass.com)

# Translation of the original Conformity Declaration

We, KOMPERNASS HANDELS GMBH, document officer:  
Mr Semi Uguzlu, BURGSTR. 21,DE - 44867 BOCHUM,  
GERMANY, hereby declare that this product complies with the  
following standards, normative documents and EC directives:

**EC Low Voltage Directive  
(2014/35/EU)**

**EMC (Electromagnetic Compatibility)  
(2014/30/EU)**

**RoHS Directive  
(2011/65/EU)\***

\*The manufacturer is solely responsible for the issuance of this conformity declaration. The subject of the declaration above complies with the requirements of Directive 2011/65/EU of the European Parliament and Council of 8 June 2011 on the restriction of the use of certain hazardous substances in electrical and electronic equipment.

## **Applicable harmonised standards:**

EN 60335-1:2012+A11;

EN 60335-2-45:2002+A1+A2;

EN 62233:2008

EN 55014-1:2006+A1+A2

EN 55014-2:2015

EN 61000-3-2:2014

EN 61000-3-3:2013

EN 50581:2012

**Type designation of machine:**

Digital Soldering Station PLSD 48 A1

**Year of manufacture: 03-2018**

**Serial number: IAN 303729**

Bochum, 01/03/2018



Semi Uguzlu

- Quality Manager -

We reserve the right to make technical changes in the context of further product development.



## Inhaltsverzeichnis

<b>Einleitung</b> .....	<b>20</b>
Bestimmungsgemäßer Gebrauch .....	20
Ausstattung .....	21
Lieferumfang .....	21
Technische Daten .....	21
<b>Sicherheit</b> .....	<b>22</b>
Sicherheitshinweise .....	22
<b>Vor der Inbetriebnahme</b> .....	<b>25</b>
Lötspitze einsetzen / wechseln .....	25
<b>Inbetriebnahme</b> .....	<b>25</b>
Ein- / ausschalten .....	25
Standby Modus .....	26
Temperatur einstellen .....	27
Lötschwamm .....	29
Löten .....	29
<b>Wartung und Reinigung</b> .....	<b>30</b>
<b>Entsorgung</b> .....	<b>31</b>
Gerät entsorgen .....	31
<b>Garantie der Kompernaß Handels GmbH</b> .....	<b>32</b>
<b>Service</b> .....	<b>34</b>
<b>Importeur</b> .....	<b>34</b>
<b>Original-Konformitätserklärung</b> .....	<b>35</b>

## **DIGITALE LÖTSTATION PLSD 48 A1**

### **Einleitung**

Wir beglückwünschen Sie zum Kauf Ihres neuen Gerätes. Sie haben sich damit für ein hochwertiges Produkt entschieden. Die Bedienungsanleitung ist Teil dieses Produkts. Sie enthält wichtige Hinweise für Sicherheit, Gebrauch und Entsorgung. Machen Sie sich vor der Benutzung des Produkts mit allen Bedien- und Sicherheitshinweisen vertraut. Benutzen Sie das Produkt nur wie beschrieben und für die angegebenen Einsatzbereiche. Händigen Sie alle Unterlagen bei Weitergabe des Produkts an Dritte mit aus.

### **Bestimmungsgemäßer Gebrauch**

Das Gerät ist für Elektroniklötungen im Freizeit- und Heimwerkerbereich vorgesehen. Es ist dabei für Anwendungen wie Lötarbeiten, Schweißkleben von Kunststoffen und das Aufbringen von Verzierungen bestimmt. Benutzen Sie das Gerät nur wie beschrieben und für die angegebenen Einsatzbereiche. Das Gerät ist nicht für den gewerblichen Einsatz bestimmt. Jede andere Verwendung oder Veränderung des Gerätes gilt als nicht bestimmungsgemäß und birgt erhebliche Unfallgefahren. Für aus bestimmungswidriger Verwendung entstandene Schäden übernimmt der Hersteller keine Haftung.

## Ausstattung

- 1 EIN- / AUS-Schalter
- 2 Halterung für den FeinlötKolben
- 3 FeinlötKolben
- 4 Lötspitze
- 5 Lötswamm
- 6 LC-Display
- 7 Anzeige der Temperatureinheit
- 8 POWER Anzeige (Wärmeabgabe an den LötKolben)
- 9 + Taste (Arbeitstemperatur)
- 10 – Taste (Arbeitstemperatur)
- 11 Temperaturvorwahl (400°C)
- 12 Temperaturvorwahl (300°C)
- 13 Temperaturvorwahl (200°C)
- 14 Anzeige der Voreingestellten Temperatur
- 15 Ist/Soll-Temperatur / Aufheiztemperatur
- 16 Aufbewahrungsfach für die Lötspitze
- 17 Lötzinn

## Lieferumfang

- 1 Digitale Lötstation PLSD 48 A1
  - inkl. 3 Standard-Lötspitzen (1 x vormontiert)
- 1 Lötzinn,  $\varnothing$  1,0 mm, 10 g
- 1 Lötzinn,  $\varnothing$  1,5 mm, 10 g
- 1 Lötswamm
- 1 Bedienungsanleitung

## Technische Daten

- Bemessungsspannung: 230 V ~ (Wechselstrom)
- Bemessungsfrequenz: 50 Hz
- Bemessungsaufnahme: 48 W
- Temperaturbereich: 200–450°C
- Netzkabel: 1,5 m vom Netzstecker bis zur Station;  
1,2 m vom FeinlötKolben bis zur Station





## Sicherheit

### Sicherheitshinweise

#### **WARNUNG!**

- ▶ Lesen Sie alle Sicherheitshinweise und Anweisungen. Versäumnisse bei der Einhaltung der Sicherheitshinweise und Anweisungen können elektrischen Schlag, Brand und/oder schwere Verletzungen verursachen.

#### **Die Lötstation ist nur für den Betrieb im Innenbereich geeignet.**

- Dieses Gerät kann von Kindern ab 8 Jahren und darüber sowie von Personen mit verringerten physischen, sensorischen oder mentalen Fähigkeiten oder Mangel an Erfahrung und Wissen benutzt werden, wenn sie beaufsichtigt oder bezüglich des sicheren Gebrauchs des Gerätes unterwiesen wurden und die daraus resultierenden Gefahren verstehen. Kinder dürfen nicht mit dem Gerät spielen. Reinigung und Benutzer-Wartung dürfen nicht von Kindern ohne Beaufsichtigung durchgeführt werden.

- Wenn die Netzanschlussleitung dieses Gerätes beschädigt wird, muss sie durch den Hersteller oder seinen Kundendienst oder eine ähnlich qualifizierte Person ersetzt werden, um Gefährdungen zu vermeiden.



**ACHTUNG GEFAHR VON ELEKTRISCHEM SCHLAG! Die Lötstation nicht verwenden, wenn der Griff, die Netzleitung oder der Stecker beschädigt sind. Das Gerät niemals öffnen!**

### **Restrisiken**

- **VERBRENNUNGSGEFAHR!** Berühren Sie nie die erhitzte Lötspitze oder das geschmolzene Lot. Es besteht Verbrennungsgefahr. Lassen Sie das Gerät unbedingt abkühlen, bevor Sie Gerätekomponenten wechseln, reinigen oder überprüfen.
- Lassen Sie den FeinlötKolben nach der Arbeit nur an der Luft abkühlen. Auf keinen Fall mit Wasser abschrecken!
- **VORSICHT! BRANDGEFAHR!** Verwenden Sie nur die spezielle Halterung oder eine andere feuerfeste Unterlage zum Absetzen des heißen FeinlötKolbens.
- Bei Arbeitspausen muss der FeinlötKolben in der Halterung abgelegt werden.
- Halten Sie das Gerät von brennbarem Material fern.
- Lassen Sie das eingeschaltete Gerät nie unbeaufsichtigt.
- **VORSICHT! VERLETZUNGSGEFAHR!** Halten Sie Ihre Hände vom erhitzten Werkstück fern. Die Hitze kann durch das Werkstück hindurch abgegeben werden.

- Vermeiden Sie den Kontakt der heißen Lötspitze mit den Kunststoffteilen der Halterung. Andernfalls kann es zu Beschädigungen am Gerät kommen.
- Ziehen Sie bei Gefahr sofort den Netzstecker aus der Steckdose.
- **VORSICHT! VERGIFTUNGSGEFAHR!** Atmen Sie keine Dämpfe ein.
- Sorgen Sie bei längeren Arbeiten, bei denen gesundheitsgefährdende Dämpfe entstehen können, immer für eine ausreichende Belüftung der Arbeitsstätte. Ferner werden Schutzhandschuhe, Mundschutz sowie eine Arbeitsschürze empfohlen.
- Vermeiden Sie es, in Räumen, in denen gelötet wird, zu essen, zu trinken und zu rauchen. Andernfalls könnten an den Händen haftende Bleispuren über Lebensmittel oder Zigaretten in den menschlichen Organismus gelangen.
- Waschen Sie sich nach dem Löten immer gründlich die Hände.
- Werfen Sie Lötabfälle nie in den Hausmüll. Lötabfälle gehören zum Sondermüll.

## Vor der Inbetriebnahme

### Lötspitze einsetzen / wechseln

#### **VORSICHT! VERBRENNUNGSGEFAHR!**

- ▶ Heizen Sie den FeinlötKolben **3** nie ohne Lötspitze **4** auf.
- Das Entfernen der Lötspitze **4** darf nur bei ausgeschaltetem Gerät und bei abgekühlter Lötspitze **4** erfolgen.
- Die Lötspitze **4** verfügt über ein Schraubgewinde und lässt sich somit schnell und einfach am FeinlötKolben **3** auswechseln.
  - ◆ Drehen Sie die Lötspitze **4** gegen den Uhrzeigersinn heraus.
  - ◆ Drehen Sie die Lötspitze **4** im Uhrzeigersinn fest.

## Inbetriebnahme

### Ein- / ausschalten

#### Einschalten:

- ◆ Stecken Sie den Netzstecker in eine passende Steckdose und drücken Sie den EIN- / AUS-Schalter **1** in die Position „I“.
- Im LC-Display **6** wird die letzte voreingestellte Temperatur (300°C bei der ersten Verwendung) für 3 Sekunden angezeigt. Danach zeigt das LC-Display **6** die aktuelle Ist-Temperatur **15** an.

#### **HINWEIS**

- ▶ Vor der ersten Inbetriebnahme der Lötstation und auch bei Verwendung jeder neuen Lötspitze muss die Lötspitze **4** zunächst verzinnt werden.

## Standby Modus

Wird der Lötkolben 30 Minuten lang nicht benutzt, geht die Lötstation in den Standby-Modus.

- Im Standby-Modus wird im LC-Display **6** die Temperatur von 200 °C angezeigt. Gleichzeitig blinkt das ganze LC-Display **6**.
- ◆ Drücken Sie eine beliebige Taste, um den Standby-Modus zu beenden und stellen Sie dann die gewünschte Temperatur wie nachfolgend beschrieben ein.

### Ausschalten:

#### HINWEIS

- ▶ Stellen Sie den Feinlötkolben **3** nach Gebrauch immer wieder zurück in die Halterung für den Feinlötkolben **2**.
- ◆ Drücken Sie den EIN- / AUS-Schalter **1** in die Position „0“. Ziehen Sie bei Nichtgebrauch den Netzstecker aus der Steckdose.

## Temperatur einstellen

### HINWEIS

- ▶ Voraussetzung für einwandfreie Lötungen ist die Verwendung geeigneter Lötzinne. Zudem können perfekte Lötstellen nur dann erreicht werden, wenn die richtige Löttemperatur erreicht wird. Bei zu niedriger Löttemperatur fließt das Lötzinn nicht genügend und verursacht unsaubere Lötstellen (sog. kalte Lötstellen). Durch zu hohe Löttemperaturen verbrennt das Lötmittel und das Lötzinn fließt nicht. Darüber hinaus können die zu bearbeitenden Materialien zerstört werden.

Nachstehend Temperatureinstellungen für die gängigsten Anwendungen. Je nach Lötzinn / Hersteller sind Unterschiede möglich.

- 200°C Schmelzpunkt der häufigst verwendeten Weichlote.
- 300°C Normalbetrieb, z. B. bei der Verwendung von bleifreiem Lötzinn.
- 400°C Hohe Löttemperatur, z. B. zum Entlöten kleiner Lötstellen.
- 450°C Maximale Löttemperatur, z. B. zum Entlöten großer Lötstellen.

## Arbeitstemperatur einstellen

- ◆ Drücken Sie die + / – Tasten **9** / **10** um die Arbeitstemperatur in 10°C Schritten einzustellen.  
Die aktuelle Soll-Temperatur **15** wird im LC-Display **6** angezeigt.

### HINWEIS

- ▶ Halten Sie die + / – Tasten **9** / **10** gedrückt, um die Arbeitstemperatur kontinuierlich in 10°C Schritten zu ändern.  
Lassen Sie die + / – Tasten **9** / **10** los, wenn die gewünschte Temperatur erreicht ist.
- Ohne weitere Betätigung der + / – Tasten **9** / **10** wird nach 3 Sekunden die Aufheiztemperatur **15** im LC-Display **6** angezeigt.

## Programmierte Temperatur einstellen

Neben der Temperatureinstellung mit den + / – Tasten **9** / **10** gibt es 3 vorprogrammierte Temperaturen: 200°C / 300°C / 400°C.

- ◆ Drücken Sie die Temperaturvorwahl **11** oder **12** oder **13** um die gewünschte vorprogrammierte Temperatur einzustellen.  
Die voreingestellte Temperatur wird in der Anzeige **14** mit einem Pfeil dargestellt.

## Lötschwamm

### **ACHTUNG!**

- ▶ Die heiße Lötspitze **4** darf niemals mit einem trockenen Lötschwamm **5** in Berührung kommen. Andernfalls kann der Lötschwamm **5** beschädigt werden.

### **HINWEIS**

- ▶ Der Lötschwamm **5** dient zum Reinigen der Lötspitze **4**.
- ▶ Feuchten Sie den Lötschwamm **5** an, bevor Sie ihn benutzen.

## Löten



Dämpfe können beim Einatmen u.a. zu Kopfschmerzen und Ermüdungserscheinungen führen.

- Der LötKolben ist mit einer Nennleistung von 48 Watt ideal für Elektroniklötungen.
- Durch seine Bauform ist er besonders für schwer zugängliche und feine Lötarbeiten geeignet.
  - ◆ Reinigen Sie die Lötspitze **4** am feuchten Lötschwamm **5**.
  - ◆ Nach dem Reinigen muss die Lötspitze **4** verzinnt werden. Verzinnen Sie die heiße Lötspitze **4** hierzu durch das Abschmelzen von Lötzinn **17**.
  - ◆ Führen Sie die Lötspitze **4** an die Lötstelle heran und erhitzen Sie diese.
  - ◆ Bringen Sie das Lötzinn **17** zwischen Lötstelle und Lötspitze **4** zum Schmelzen.
  - ◆ Führen Sie weiteren Lötzinn **17** hinzu, bis die gesamte Lötstelle benetzt ist.
  - ◆ Entfernen Sie anschließend sofort die Lötspitze **4**, um das geschmolzene Lot nicht zu überhitzen.
  - ◆ Lassen Sie das Lot erstarren und vermeiden Sie Erschütterungen.



**HINWEIS**

- ▶ Das Flussmittel ist entweder im Lot enthalten oder es wird separat angewendet. Informieren Sie sich beim Kauf über die Art der Anwendung und das geeignete Lötmedium.

## Wartung und Reinigung



**WARNUNG! VERLETZUNGSGEFAHR! Ziehen Sie immer den Netzstecker aus der Steckdose und lassen Sie das Gerät abkühlen, bevor Sie Arbeiten am Gerät durchführen.**

- Reinigen Sie das Gerät nach Abschluss der Arbeit.
- Verwenden Sie zur Reinigung des Gehäuses ein Tuch und ggf. ein mildes Reinigungsmittel.
- Verwenden Sie keinesfalls scharfe Gegenstände, Benzin, Lösungsmittel oder Reiniger, die Kunststoff angreifen.
- Vermeiden Sie, dass Flüssigkeiten in das Innere des Gerätes gelangen.

**HINWEIS**

- ▶ Ersatzteile (wie z. B. Lötspitzen) können Sie über unsere Service - Hotline bestellen.

# Entsorgung

## Gerät entsorgen



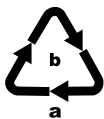
Die Verpackung besteht aus umweltfreundlichen Materialien, die Sie über die örtlichen Recyclingstellen entsorgen können.



**Werfen Sie Elektrowerkzeuge nicht in den Hausmüll!**

Gemäß Europäischer Richtlinie 2012/19/EU müssen verbrauchte Elektrowerkzeuge getrennt gesammelt und einer umweltgerechten Wiederverwertung zugeführt werden.

Möglichkeiten zur Entsorgung des ausgedienten Gerätes erfahren Sie bei Ihrer Gemeinde- oder Stadtverwaltung.



Entsorgen Sie die Verpackung umweltgerecht. Beachten Sie die Kennzeichnung auf den verschiedenen Verpackungsmaterialien und trennen Sie diese gegebenenfalls gesondert. Die Verpackungsmaterialien sind gekennzeichnet mit Abkürzungen (a) und Ziffern (b) mit folgender Bedeutung:

- 1–7: Kunststoffe,
- 20–22: Papier und Pappe,
- 80–98: Verbundstoffe



Möglichkeiten zur Entsorgung des ausgedienten Produkts erfahren Sie bei Ihrer Gemeinde- oder Stadtverwaltung.

# Garantie der Kompernaß Handels GmbH

Sehr geehrte Kundin, sehr geehrter Kunde,

Sie erhalten auf dieses Gerät 3 Jahre Garantie ab Kaufdatum. Im Falle von Mängeln dieses Produkts stehen Ihnen gegen den Verkäufer des Produkts gesetzliche Rechte zu. Diese gesetzlichen Rechte werden durch unsere im Folgenden dargestellte Garantie nicht eingeschränkt.

## Garantiebedingungen

Die Garantiefrist beginnt mit dem Kaufdatum. Bitte bewahren Sie den Original-Kassenbon gut auf. Diese Unterlage wird als Nachweis für den Kauf benötigt.

Tritt innerhalb von drei Jahren ab dem Kaufdatum dieses Produkts ein Material- oder Fabrikationsfehler auf, wird das Produkt von uns – nach unserer Wahl – für Sie kostenlos repariert oder ersetzt. Diese Garantieleistung setzt voraus, dass innerhalb der Drei-Jahres-Frist das defekte Gerät und der Kaufbeleg (Kassenbon) vorgelegt und schriftlich kurz beschrieben wird, worin der Mangel besteht und wann er aufgetreten ist.

Wenn der Defekt von unserer Garantie gedeckt ist, erhalten Sie das reparierte oder ein neues Produkt zurück. Mit Reparatur oder Austausch des Produkts beginnt kein neuer Garantiezeitraum.

## Garantiezeit und gesetzliche Mängelansprüche

Die Garantiezeit wird durch die Gewährleistung nicht verlängert. Dies gilt auch für ersetzte und reparierte Teile. Eventuell schon beim Kauf vorhandene Schäden und Mängel müssen sofort nach dem Auspacken gemeldet werden. Nach Ablauf der Garantiezeit anfallende Reparaturen sind kostenpflichtig.

## Garantieumfang

Das Gerät wurde nach strengen Qualitätsrichtlinien sorgfältig produziert und vor Auslieferung gewissenhaft geprüft.

Die Garantieleistung gilt für Material- oder Fabrikationsfehler. Diese Garantie erstreckt sich nicht auf Produktteile, die normaler Abnutzung ausgesetzt sind und daher als Verschleißteile angesehen werden können oder für Beschädigungen an zerbrechlichen Teilen, z. B. Schalter, Akkus, Backformen oder Teile die aus Glas gefertigt sind.

Diese Garantie verfällt, wenn das Produkt beschädigt, nicht sachgemäß benutzt oder gewartet wurde. Für eine sachgemäße Benutzung des Produkts sind alle in der Bedienungsanleitung aufgeführten Anweisungen genau einzuhalten. Verwendungszwecke und Handlungen, von denen in der Bedienungsanleitung abgeraten oder vor denen gewarnt wird, sind unbedingt zu vermeiden.

Das Produkt ist nur für den privaten und nicht für den gewerblichen Gebrauch bestimmt. Bei missbräuchlicher und unsachgemäßer Behandlung, Gewaltanwendung und bei Eingriffen, die nicht von unserer autorisierten Service-Niederlassung vorgenommen wurden, erlischt die Garantie.

## Abwicklung im Garantiefall

Um eine schnelle Bearbeitung Ihres Anliegens zu gewährleisten, folgen Sie bitte den folgenden Hinweisen:

- Bitte halten Sie für alle Anfragen den Kassenbon und die Artikelnummer (z. B. IAN 12345) als Nachweis für den Kauf bereit.
- Die Artikelnummer entnehmen Sie bitte dem Typenschild, einer Gravur, auf dem Titelblatt Ihrer Anleitung (unten links) oder als Aufkleber auf der Rück- oder Unterseite.
- Sollten Funktionsfehler oder sonstige Mängel auftreten, kontaktieren Sie zunächst die nachfolgend benannte Serviceabteilung telefonisch oder per E-Mail.
- Ein als defekt erfasstes Produkt können Sie dann unter Beifügung des Kaufbelegs (Kassenbon) und der Angabe, worin der Mangel besteht und wann er aufgetreten ist, für Sie portofrei an die Ihnen mitgeteilte Service-Anschrift übersenden.



Auf [www.lidl-service.com](http://www.lidl-service.com) können Sie diese und viele weitere Handbücher, Produktvideos und Software herunterladen.

## Service

**DE Service Deutschland**

Tel.: 0800 5435 111

(Kostenfrei aus dem dt. Festnetz/Mobilfunknetz)

E-Mail: [kompernass@lidl.de](mailto:kompernass@lidl.de)

**AT Service Österreich**

Tel.: 0820 201 222 (0,15 EUR/Min.)

E-Mail: [kompernass@lidl.at](mailto:kompernass@lidl.at)

**CH Service Schweiz**

Tel.: 0842 665566

(0,08 CHF/Min., Mobilfunk max. 0,40 CHF/Min.)

E-Mail: [kompernass@lidl.ch](mailto:kompernass@lidl.ch)

IAN 303729

## Importeur

Bitte beachten Sie, dass die folgende Anschrift keine Serviceanschrift ist.  
Kontaktieren Sie zunächst die benannte Servicestelle.

KOMPERNASS HANDELS GMBH

BURGSTRASSE 21

DE-44867 BOCHUM

DEUTSCHLAND

[www.kompernass.com](http://www.kompernass.com)

# Original-Konformitätserklärung

Wir, KOMPERNASS HANDELS GMBH, Dokumentenverantwortlicher: Herr Semi Uguzlu, BURGSTR. 21, DE - 44867 BOCHUM, DEUTSCHLAND, erklären hiermit, dass dieses Produkt mit den folgenden Normen, normativen Dokumenten und EG-Richtlinien übereinstimmt:

## **EG-Niederspannungsrichtlinie (2014 / 35 / EU)**

## **Elektromagnetische Verträglichkeit (2014 / 30 / EU)**

## **RoHS Richtlinie (2011 / 65 / EU) \***

\*Die alleinige Verantwortung für die Ausstellung dieser Konformitätserklärung trägt der Hersteller. Der oben beschriebene Gegenstand der Erklärung erfüllt die Vorschriften der Richtlinie 2011/65/EU des Europäischen Parlaments und des Rates vom 8. Juni 2011 zur Beschränkung der Verwendung bestimmter gefährlicher Stoffe in Elektro- und Elektronikgeräten.

## **Angewandte harmonisierte Normen:**

EN 60335-1:2012+A11;

EN 60335-2-45:2002+A1+A2;

EN 62233:2008

EN 55014-1:2006+A1+A2

EN 55014-2:2015

EN 61000-3-2:2014

EN 61000-3-3:2013

EN 50581:2012

**Typbezeichnung der Maschine:**

Digitale Lötstation PLSD 48 A1

**Herstellungsjahr: 03-2018**

**Seriennummer: IAN 303729**

Bochum, 01.03.2018



Semi Uguzlu

- Qualitätsmanager -

Technische Änderungen im Sinne der Weiterentwicklung sind vorbehalten.

**KOMPERNASS HANDELS GMBH**

BURGSTRASSE 21

DE-44867 BOCHUM

GERMANY

[www.kompernass.com](http://www.kompernass.com)

Last Information Update · Stand der Informationen:

03/2018 Ident.-No.: PLSD48A1-032018-1

---

IAN 303729