

Product Details specification

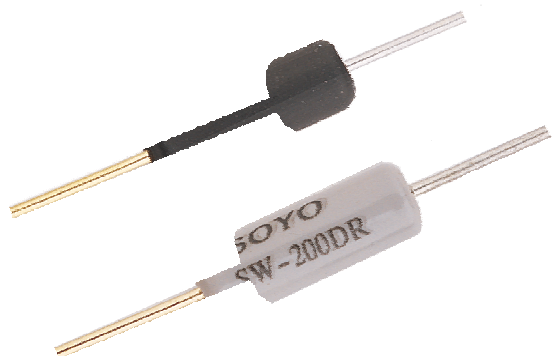
Model	Date	Page
Roll ball switch SW-200D	2011-2-18	3-1

■ Function:

- 1.horizontal tilt detecting
- 2.vertical flip detecting
- 3.vibration detecting

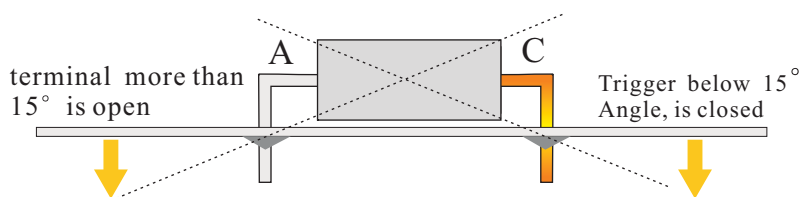
■ Applications

- 1.Digital camera rotate
- 2.Automotive devices
- 3.Home electrical appliances
- 4.Communication devices
- 5.Toys



■ Features:

- 1.SW-200D is dual ball type tilt sensitive trigger switch
- 2.When the product tilt to Conductive terminal (A) more than 15° , is open circuit OFF-state, when product level condition tilt change, trigger (gold-plated pin end C) below the horizontal gradient greater than 15° Angle, is closed circuit ON-state.
- 3.In a horizontal position, be easy to trigger with a shaking, or not when silver foot down.
- 4.Product completely airtight, waterproof, dustproof
- 5.In the normal, switch life can reach 10,000 cycles lifespan
- 6.Material compliant with ROHS directive, replace the mercury switch
- 7.Switch signals simple, circuit is simple in design, economic price



Product Details specification

Model	Date	Page
Roll ball switch SW-200D	2011-2-18	3-2

■ Electrical characteristics:

1	Voltage:	<12V
2	Current:	<20mA
3	Conductive time	2ms
4	Closed resistance	<10 ohm
5	Open resistance	>10M ohm

■ Mechanical characteristics:

1	Temperature range:	-40°C to 80°C
2	Pull force of terminal:	500gf for 1 minute
3	Humidity:	95% RH, 40°C for 96 hours
4	Operating lifespan:	100,000 cycles

■ Material list:

1	Copper tube with leads:	Brass wire silver-plated, wire lead is copper silver-plated
2	Guide pin:	Brass wire, gold-plated
3	Ball:	Two Stainless steel, silver-plated or gold-plated
4	Heat shrink tub:	PET Heat shrinkable tube, black
5	Sealing colloidal particle:	Heat resistance nylon

■ Welding characteristics

Solder tin, tin content 100%
Welding Temperature: 300°C
Welding time: 2-2.5 seconds
Do not use strong acid, alkali flux

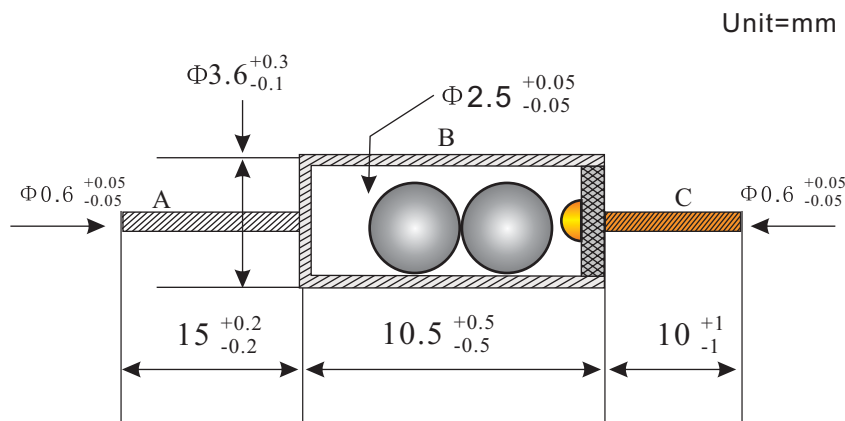
■ Packaging:

1000PCS/bag (PVC plastic)

Product Details specification

Model	Date	Page
Roll ball switch SW-200D	2011-2-18	3-3

■ SIZE



■ Note

- 1.If the product used for high security products and durability of extremely high equipment (such as life safety equipment, aviation facilities, disaster prevention device), please confirm whether a share, can seek advice our company for details
- 2.In case of fire, Please do not overload applicable,
- 3.The welding temperature or time more than standard, can cause switch collapse
- 4.Do not use water solubility flux. May cause damage to the switch
- 5.Do not use solvent wash switch
- 6.This switch conduction rate of 98% (conductivity rate per 100 times value switch actions, can good conduction ratio)