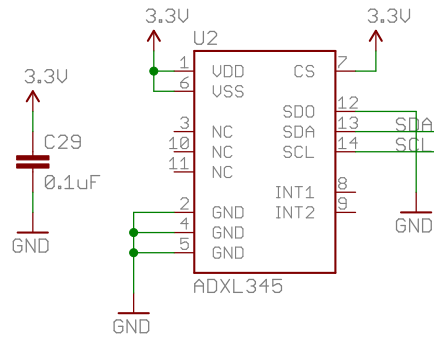
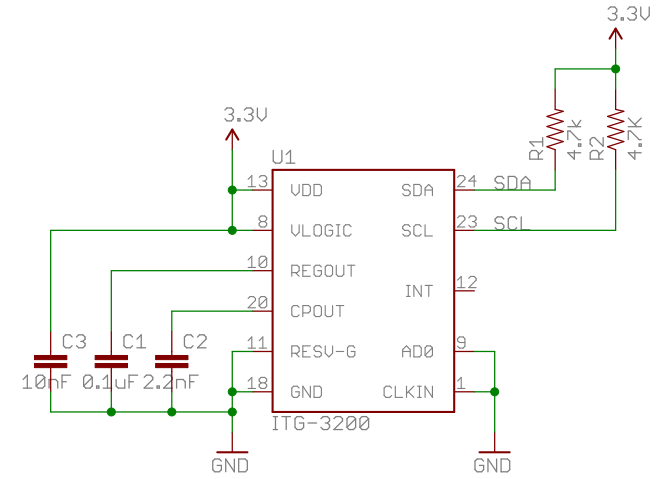


ACCEL



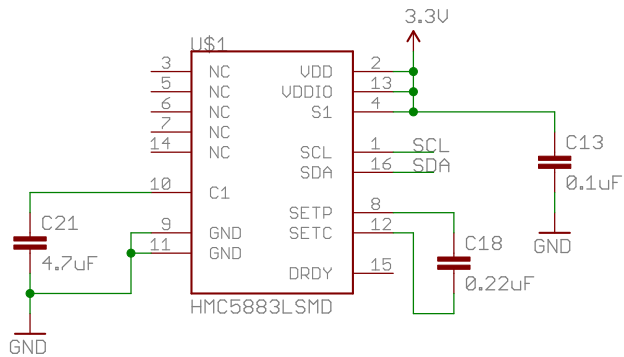
0xA6 for write, 0xA7 for read

GYRO



0xD0 for write, 0xD1 for read

MAG



open hardware



Released under the Creative Commons Attribution Share-Alike 3.0 License
<http://creativecommons.org/licenses/by-sa/3.0>
 Design by:

TITLE: 9DOF-Razor-v22

SFE

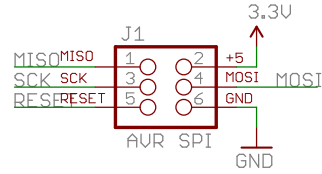
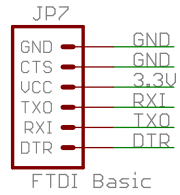
Document Number:

REV:

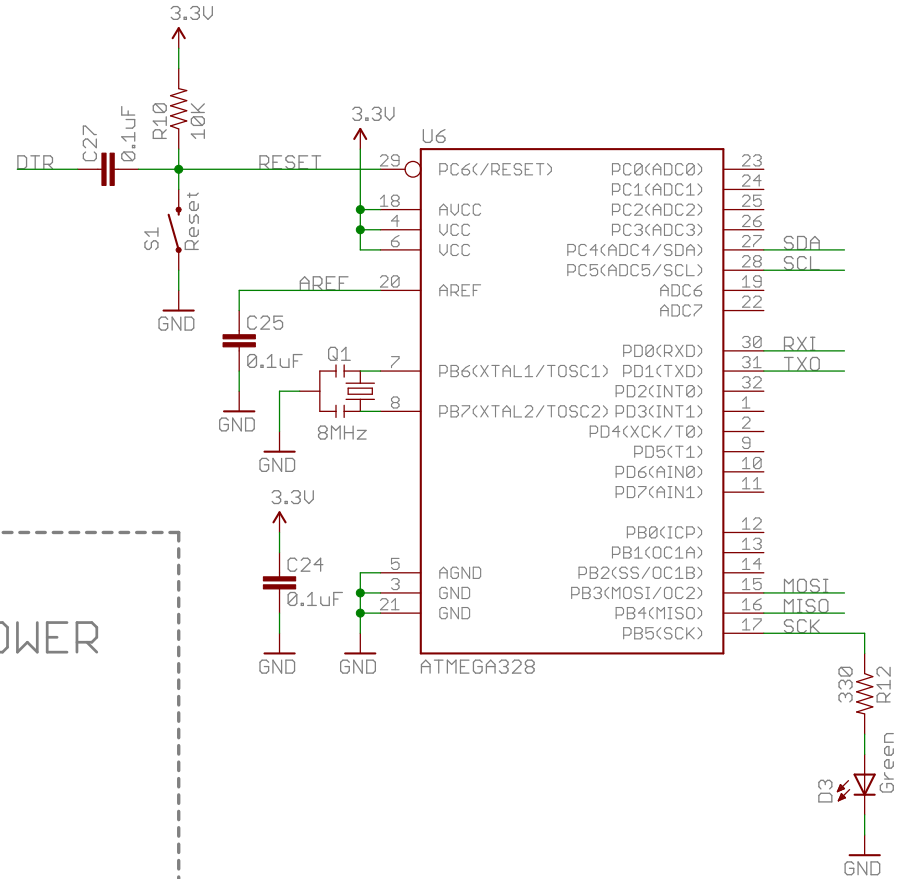
Date: 6/1/2011 4:05:35 PM

Sheet: 1/2

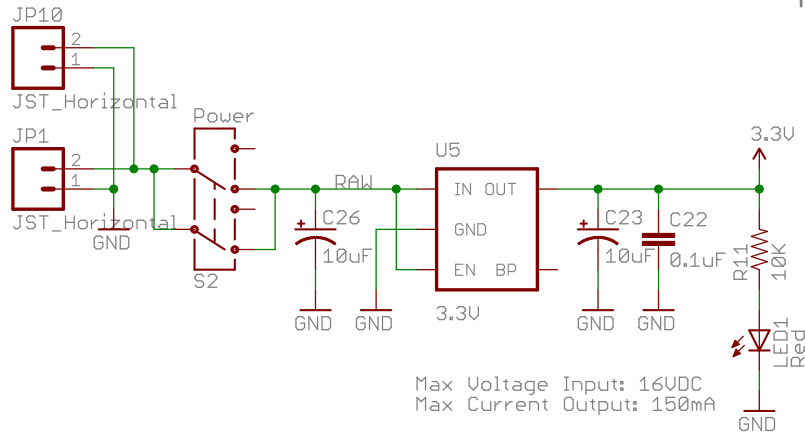
INTERFACE



AVR



POWER



TITLE: 9DOF-Razor-v22

Document Number:

REV:

Date: 6/1/2011 4:05:35 PM

Sheet: 2/2

Released under the Creative Commons Attribution Share-Alike 3.0 License
<http://creativecommons.org/licenses/by-sa/3.0>
 Design by: