

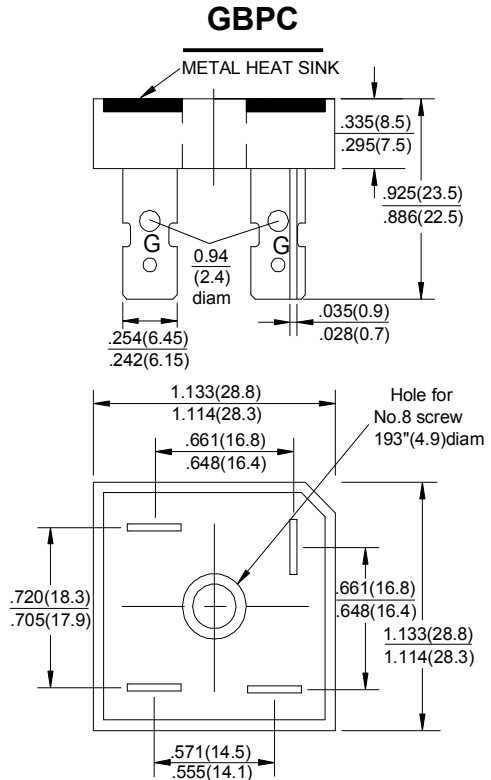
## GBPC15/25/35/50 -G SERIES

"-G" : RoHS Device

REVERSE VOLTAGE - 50 to 1000Volts  
FORWARD CURRENT - 15/25/35/50Amperes

### FEATURES

- Surge overload -300~450 amperes peak
- Low forward voltage drop
- Mounting position :Any
- Electrically isolated base-2000 Volts
- Solderable 0.25" FASTON terminals
- Materials used carries U/L recognition



Dimensions in inches and (millimeters)

### MAXIMUM RATINGS AND ELECTRICAL CHARACTERISTICS

Rating at 25°C ambient temperature unless otherwise specified.

Resistive or inductive load 60Hz.

For capacitive load, derate current by 20%

| CHARACTERISTICS   | SYMBOL            | GBPC        | GBPC | GBPC    | GBPC | GBPC    | GBPC | GBPC    | UNIT |   |
|---|-------------------|-------------|------|---------|------|---------|------|---------|------|---|
|   |                   | 15005       | 1501 | 1502    | 1504 | 1506    | 1508 | 1510    |      |   |
|   |                   | 25005       | 2501 | 2502    | 2504 | 2506    | 2508 | 2510    |      |   |
|   |                   | 35005       | 3501 | 3502    | 3504 | 3506    | 3508 | 3510    |      |   |
|   |                   | 50005       | 5001 | 5002    | 5004 | 5006    | 5008 | 5010    |      |   |
| Maximum Recurrent Peak Reverse Voltage  | V <sub>RRM</sub>  | 50          | 100  | 200     | 400  | 600     | 800  | 1000    | V    |   |
| Maximum RMS Bridge Input Voltage  | V <sub>RMS</sub>  | 35          | 70   | 140     | 280  | 420     | 560  | 700     | V    |   |
| Maximum Average Forward Rectified Output Current @ T <sub>c</sub> =55°C                 | I <sub>(AV)</sub> | GBPC 15     | 15   | GBPC 25 | 25   | GBPC 35 | 35   | GBPC 50 | 50   | A |
| Peak Forward Surge Current 8.3ms Single Half Sine-Wave Super Imposed on Rated Load      | I <sub>FSM</sub>  | 15          | 300  | 25      | 350  | 35      | 400  | 50      | 450  | A |
| Maximum Forward Voltage Drop Per Element at 7.5/12.5/17.5/25.0 A Peak                   | V <sub>F</sub>    | 1.1         |      |         |      |         |      |         | V    |   |
| Maximum Reverse Current at Rated DC Blocking Voltage Per Element @ T <sub>A</sub> =25°C | I <sub>R</sub>    | 10          |      |         |      |         |      |         | μA   |   |
| Operating Temperature Range   | T <sub>J</sub>    | -55 to +150 |      |         |      |         |      |         | °C   |   |
| Storage Temperature Range   | T <sub>STG</sub>  | -55 to +150 |      |         |      |         |      |         | °C   |   |

## RATINGS AND CHARACTERISTIC CURVES GBPC15/25/35/50 -G SERIES

FIG.1-MAXMUN FORWARD SURGE CURRENT

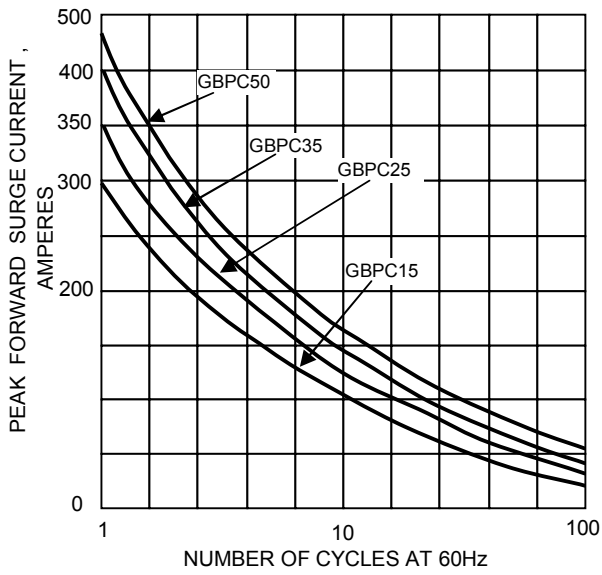


FIG.2- DERATING CURVE OUTPUT RECTIFIED CURRENT

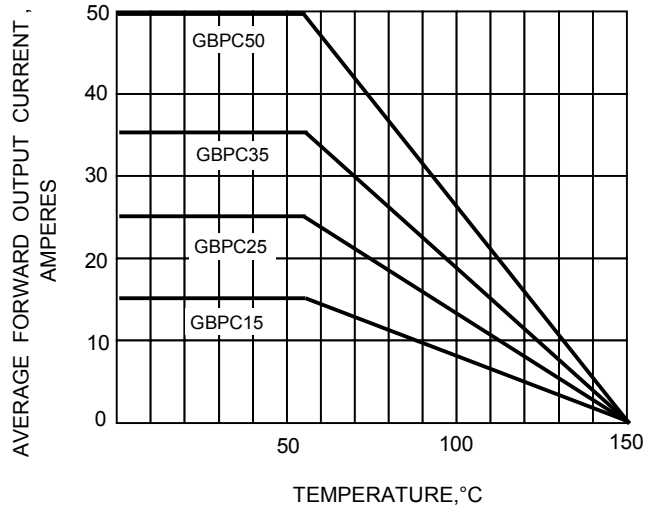


FIG.3-TYPICAL FORWARD CHARACTERISTICS

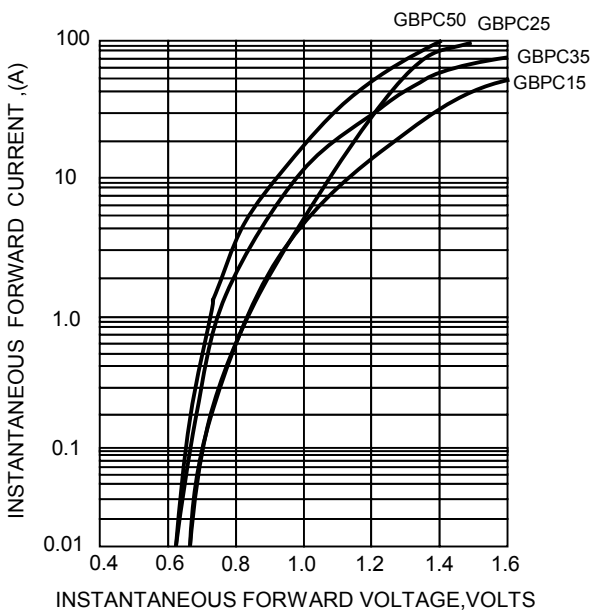
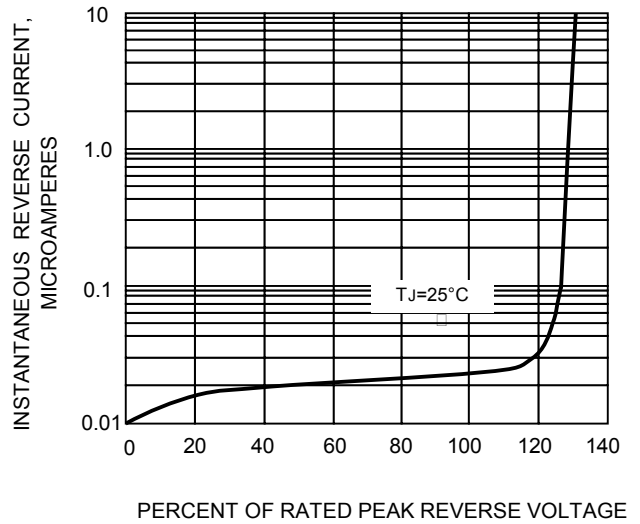


FIG.4-TYPICAL REVERSE CHARACTERISTICS



# Mouser Electronics

Authorized Distributor

Click to View Pricing, Inventory, Delivery & Lifecycle Information:

## [Comchip Technology:](#)

[GBPC3506-G](#) [GBPC3508-G](#) [GBPC3510-G](#) [GBPC5008-G](#) [GBPC3508W-G](#) [GBPC3510W-G](#) [GBPC5006W-G](#)  
[GBPC5008W-G](#)