

Distributed by:



www.Jameco.com ♦ 1-800-831-4242

The content and copyrights of the attached material are the property of its owner.

Jameco Part Number 688597



General Specifications

Motor Protection:

Auto Restart/Polarity Protection

Insulation Resistance: 10M Ω or over with a DC500V Megger

Dielectric Withstand Voltage: AC 700V 1s

Allowable Ambient Temperature Range:

-10°C ~ +60°C (Operating)

-40°C ~ +60°C (Storage)

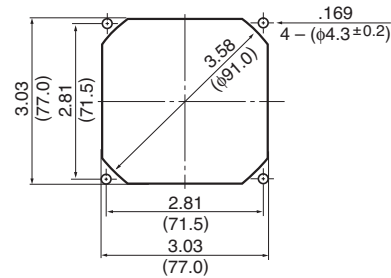
(non-condensing environment)

Expected Life

Failure Rate: 10%

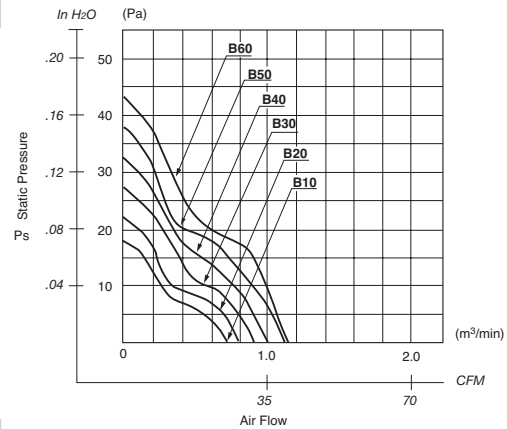
25°C 60,000 Hours (P00)

Panel Cut-outs



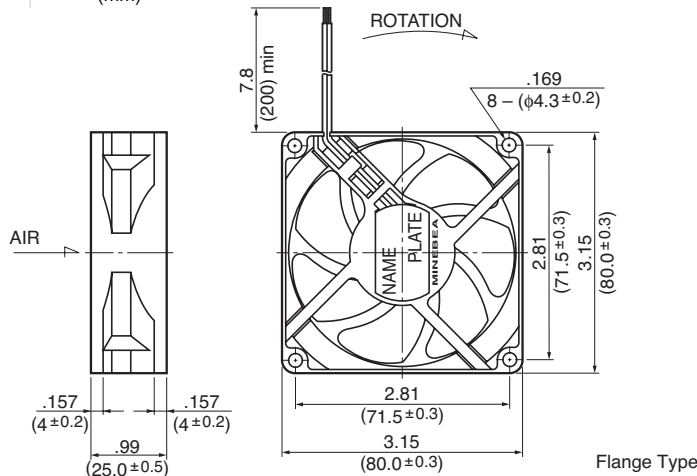
INLET SIDE / OUTLET SIDE

Characteristic Curves



Outline

Units: $\frac{\text{inch}}{\text{mm}}$



Flange Type

Material

Casing : Plastic (Black) 94V-0

Impeller : Plastic (Black) 94V-0

Bearing : Ball Bearing

Lead Wire : UL1007, AWG26, +Red, -Black

Specifications

MODEL	Product No.	Rated Voltage	Operating Voltage	Current	Input Power	Speed	Max. Air Flow		Max. Static Pressure		Noise	Mass
		(V)	(V)	(A) ^{*1}	(W) ^{*1}	(min ⁻¹) ^{*1}	CFM ^{*1}	(m ³ /min) ^{*1}	in H ₂ O	(Pa) ^{*1}	(dB) ^{*1}	(g)
3110GL-B4W-B10-	P00	12	6.0 ~ 13.8	0.10	1.20	2150	24.7	0.70	.067	16.7	22	95
3110GL-B4W-B20-	P00	12	6.0 ~ 13.8	0.11	1.32	2400	28.2	0.80	.086	21.6	25	95
3110GL-B4W-B30-	P00	12	6.0 ~ 13.8	0.17	2.04	2700	31.8	0.90	.110	26.5	28	95
3110GL-B4W-B40-	P00	12	6.0 ~ 13.8	0.20	2.40	3000	35.3	1.00	.130	32.3	31	95
3110GL-B4W-B50-	P00	12	6.0 ~ 13.8	0.23	2.76	3250	38.8	1.10	.150	37.2	34	95
3110GL-B4W-B60-	P00	12	6.0 ~ 13.0	0.26	3.12	3400	40.2	1.14	.160	40.2	35	95
3110GL-B5W-B10-	P00	24	10.0 ~ 27.6	0.06	1.44	2150	24.7	0.70	.067	16.7	22	95
3110GL-B5W-B20-	P00	24	10.0 ~ 27.6	0.07	1.68	2400	28.2	0.80	.086	21.6	25	95
3110GL-B5W-B30-	P00	24	10.0 ~ 27.6	0.08	1.92	2700	31.8	0.90	.110	26.5	28	95
3110GL-B5W-B40-	P00	24	10.0 ~ 27.6	0.10	2.40	3000	35.3	1.00	.130	32.3	31	95
3110GL-B5W-B50-	P00	24	10.0 ~ 27.6	0.12	2.88	3250	38.8	1.10	.150	37.2	34	95
3110GL-B5W-B60-	P00	24	10.0 ~ 26.4	0.14	3.36	3400	40.2	1.14	.160	40.2	35	95

Rotation: Clockwise

Airflow Outlet: Air Out Over Struts

*1: Average Values in Free Air

