

Breakout-PA6C user manual



1. Preparation:

EVB	Breakout-PA6C
Serial tool	Global Top GPS Viewer v1.8.1

-----*****-----
AND Wireless : <http://www.and-global.com>
OEM PCBA : <http://www.buypcb.com>
Retail Store : <http://www.aliexpress.com/store/605000>
Golden supplier on Alibaba : <http://and-global.en.alibaba.com>
Email : info@and-global.com
Tel : +86-755-28099797

2. Overview

2.1 Module feature

- Mediate MT3339 Chipset, L1 Frequency, C/A code, 66 Channels
- Smart Antenna: Finely Tuned Ceramic Antenna
- High Sensitivity, -165 d B m, TCXO Design
- Position Accuracy: <3.0M 50% CEP
- Multi-path Compensation; E-GSM-900 Band Rejection
- UART (TTL); 1PPS Support
- NMEA 0183 and PMTK protocol support
- E911, Rosh Compliance
- DGPS (QZSS/WAAS/EGNOS/MASA/GAGAN*)
- *GAGAN will be supported.*

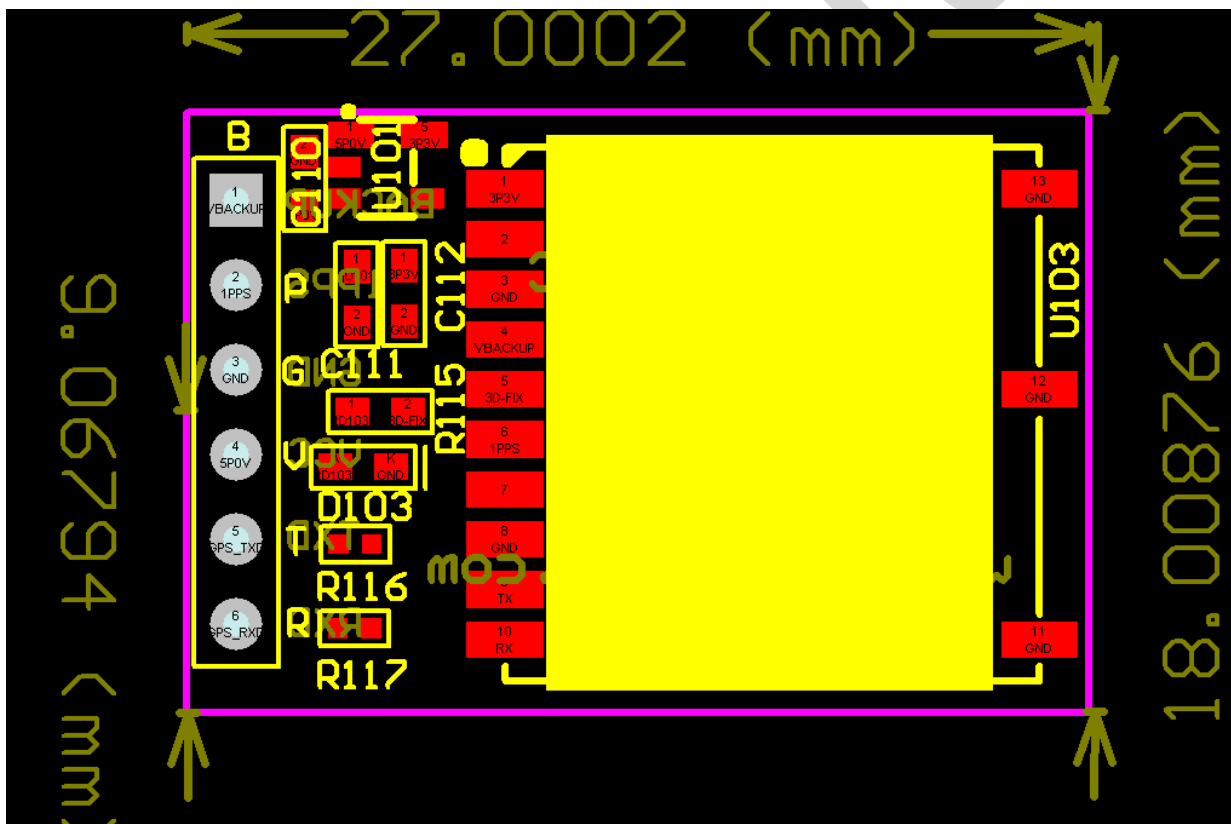
2.2 PCBA overview



-----*****-----
AND Wireless : <http://www.and-global.com>
OEM PCBA : <http://www.buypcb.com>
Retail Store : <http://www.aliexpress.com/store/605000>
Golden supplier on Alibaba : <http://and-global.en.alibaba.com>
Email : info@and-global.com
Tel : +86-755-28099797

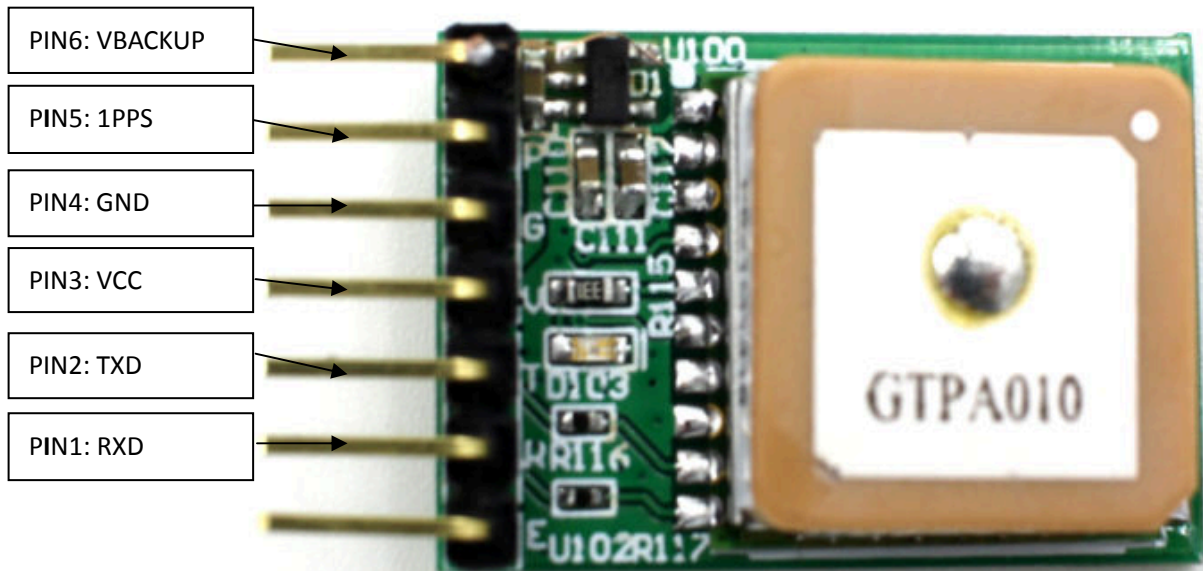
D103	3D-FIX LED indicator
U102	7pin 2.54mm header interface
U103	GPS module

2.3 PCBA dimension: 27*18mm.



AND Wireless : <http://www.and-global.com>
 OEM PCBA : <http://www.buypcba.com>
 Retail Store : <http://www.aliexpress.com/store/605000>
 Golden supplier on Alibaba : <http://and-global.en.alibaba.com>
 Email : info@and-global.com
 Tel : +86-755-28099797

3. Pin definition



3.1 Pin definition of 6pin connector

Pin name	Pin number	Mark on PCB	Description	Comment
GND	3	G	Ground	
5P0V	4	V	Supply voltage	3.0-6.0V,5.0V is recommended
TXD	5	T	Transmit Data	TTL Series data Output
RXD	6	R	Receives Data	TTL Series data Input
1PPS	2	P	Time Mark Output	2.8V CMOS Level
VBACKUP	1	B	Backup power input for RTC & navigation data keep	The voltage should be kept between 2.0V~4.3V, Typical 3.0V.

AND Wireless : <http://www.and-global.com>

OEM PCBA : <http://www.buypcb.com>

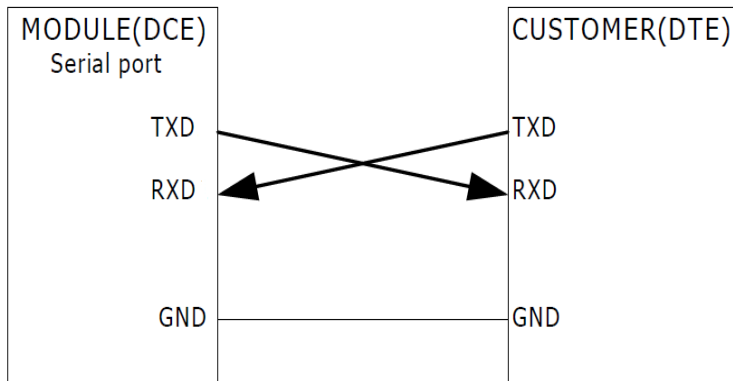
Retail Store : <http://www.aliexpress.com/store/605000>

Golden supplier on Alibaba : <http://and-global.en.alibaba.com>

Email : info@and-global.com

Tel : +86-755-28099797

3.2 How to use TXD and RXD(Default baud rate is 9600bps, For Custom-made firmware 115200bps and 10Hz update rate, please contact us!)



4. View GPS location status

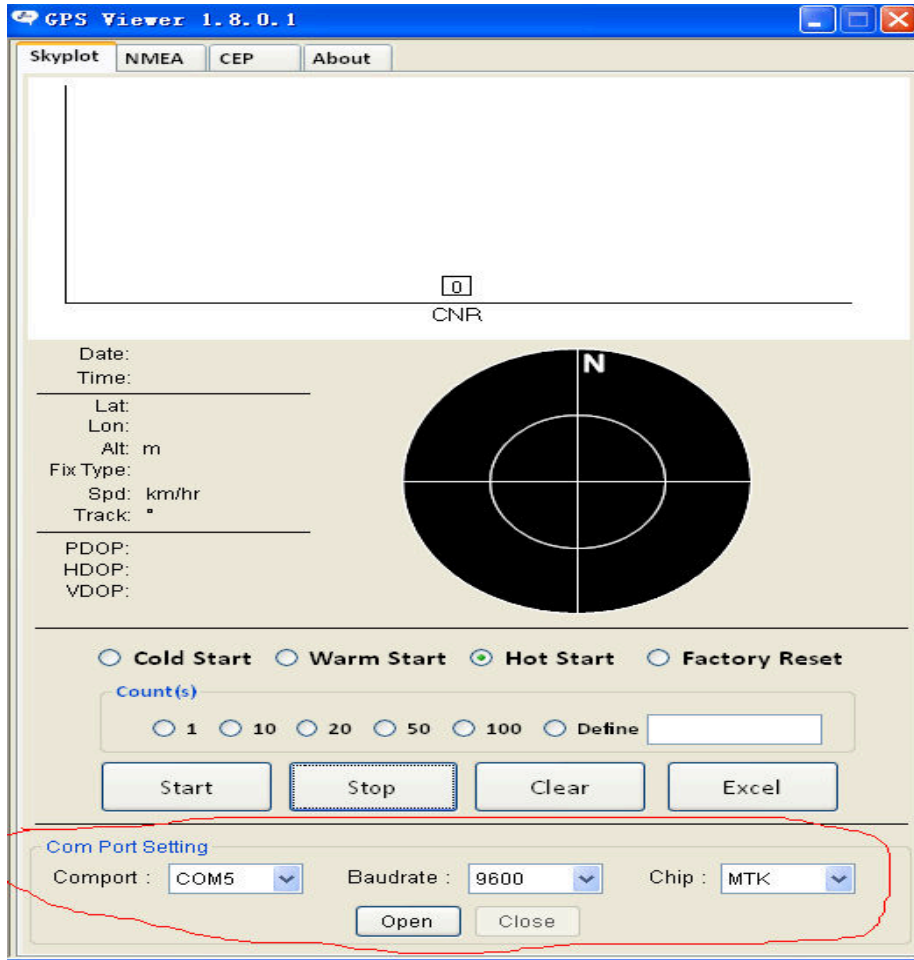
4.1 As below GPS_PORT

-----*****-----
AND Wireless : <http://www.and-global.com>
OEM PCBA : <http://www.buypcba.com>
Retail Store : <http://www.aliexpress.com/store/605000>
Golden supplier on Alibaba : <http://and-global.en.alibaba.com>
Email : info@and-global.com
Tel : +86-755-28099797

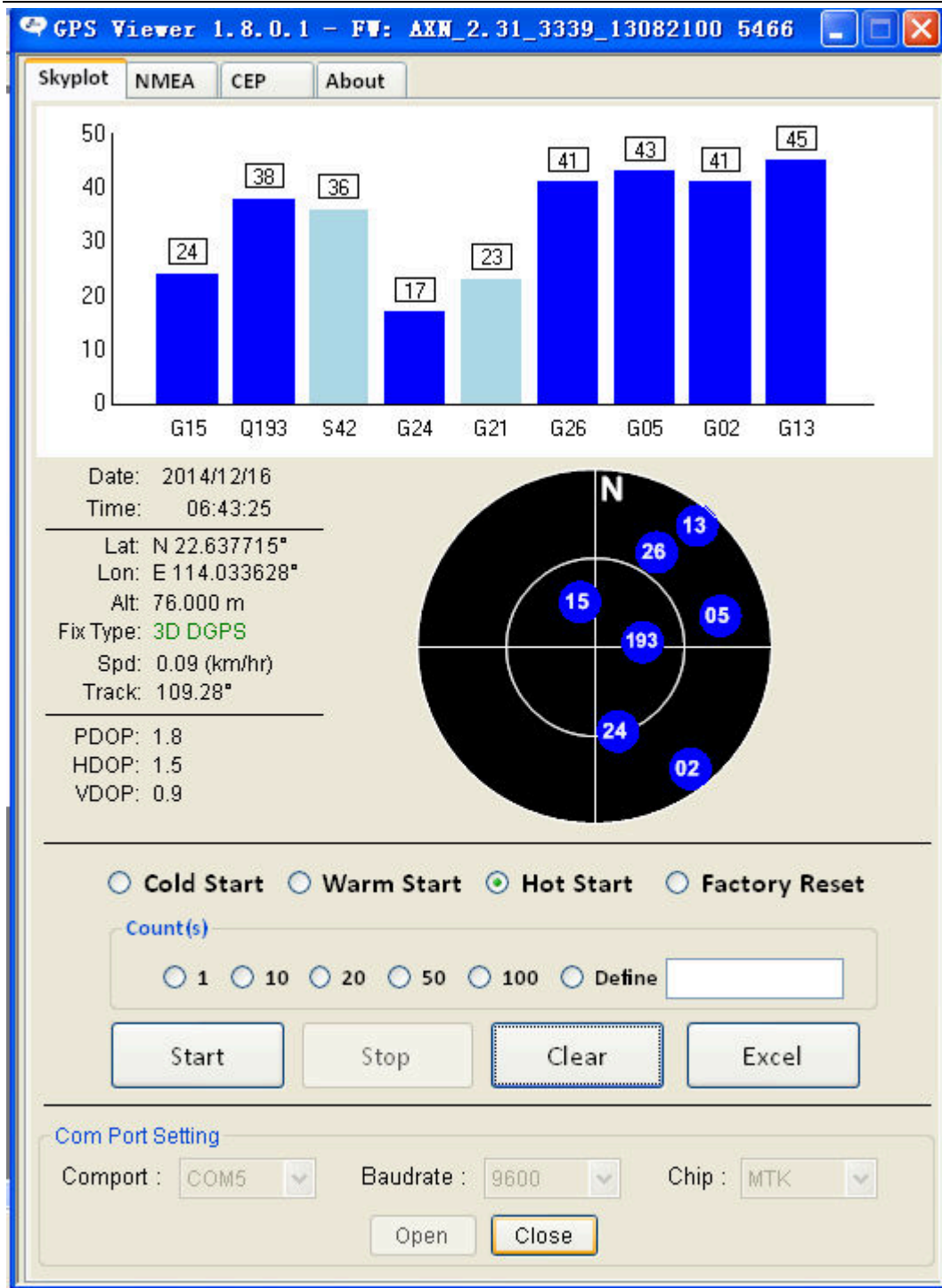


Global Top GPS Viewer v1.8.1 software

GPS Viewer.exe
GPS Viewer
GlobalTop ___ as below :



-----*****-----
AND Wireless : <http://www.and-global.com>
OEM PCBA : <http://www.buypcb.com>
Retail Store : <http://www.aliexpress.com/store/605000>
Golden supplier on Alibaba : <http://and-global.en.alibaba.com>
Email : info@and-global.com
Tel : +86-755-28099797



AND Wireless : <http://www.and-global.com>
OEM PCBA : <http://www.buypcb.com>
Retail Store : <http://www.aliexpress.com/store/605000>
Golden supplier on Alibaba : <http://and-global.en.alibaba.com>
Email : info@and-global.com
Tel : +86-755-28099797

4.2 find your position via are Google map



5. Package List:

Name	Qty	Unit
Break out-PA6C Board	1	Pc

-----*****-----
AND Wireless : <http://www.and-global.com>
OEM PCBA : <http://www.buypcb.com>
Retail Store : <http://www.aliexpress.com/store/605000>
Golden supplier on Alibaba : <http://and-global.en.alibaba.com>
Email : info@and-global.com
Tel : +86-755-28099797