



ELECTRONIC COMPANY

SMD POWER INDUCTOR

CDRH SERIES



FEATURES/APPLICATOINS

- .Carrier tape packing use for SMT
- .High rated current & Low DCR,Quadrate;Width:6.2mm~12mm,Height:3mm~8mm.
- .Magnetically shielded construction
- .Suitable for reflow SMT craft soldering
- .Lead free products, RoHS compliant
- .Widely use in Digital products & Scanner/DC-DC converter/Power supply for VTP/LCD monitor/portable terminal equipment/Telecommunications/Notebook and PC Peripheral equipments etc

PRODUCT INDICATION**CDRH 127 – 220 M**

①

②

③

④

① Product type: CDRH type

② External dimension: Quadrate, 12 for Width 12.0mm

7 for Height 7.0mm

③ Electrical code: 220 for 22 μ H④ Tolerance: K for $\pm 10\%$; M for $\pm 20\%$ **Page**

CDRH62.....	3
CDRH64.....	4
CDRH73.....	6
CDRH74.....	8
CDRH124.....	10
CDRH125.....	11
CDRH127.....	13
CDRH129.....	14

●

Inductance instrument: HP4286A/CH1062A or LCR Meter equivalent.

●

Inductance testing condition: 100KHz/1KHz.

●

DCR instrument: TH2512B or DCR test equipment equivalent .

●

Rated Current test: VR7210&VR113H.

●

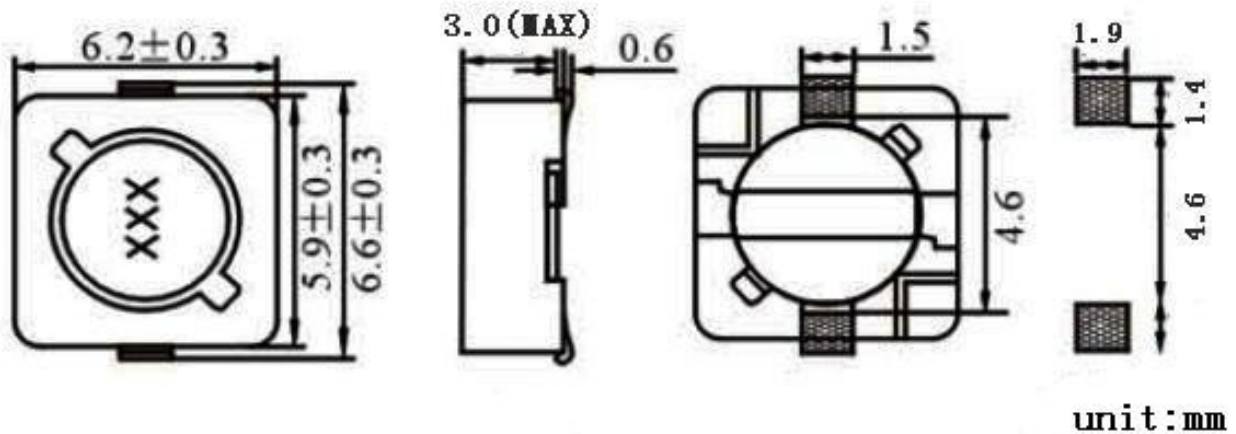
Rated Current definition: Inductance drop by 25% or temperature rise by 40 $^{\circ}$ C ,
the lesser of the minimum as the rated current.

●

Temperature storage range: -25 $^{\circ}$ C~80 $^{\circ}$ C; the relative humidity: RH65%~85%.

CDRH62

SHAPE AND DIMENSIONS



Electrical Characteristics CDRH62 Series

Part NO	Test Condition	Inductance(μ H)	Tolerance(%)	DC Resistance(Ω)Max	Rated Current(A)Max
CDRH62-1R0N	100KHz	1	± 30	0.045	3
CDRH62-1R5N	100KHz	1.5	± 30	0.05	2.7
CDRH62-2R2N	100KHz	2.2	± 30	0.058	2.4
CDRH62-3R3N	100KHz	3.3	± 30	0.07	1.94
CDRH62-3R9N	100KHz	3.9	± 30	0.08	1.63
CDRH62-4R7N	100KHz	4.7	± 30	0.09	1.55
CDRH62-5R6N	100KHz	5.6	± 30	0.1	1.4
CDRH62-6R8N	100KHz	6.8	± 30	0.12	1.3
CDRH62-8R2M	100KHz	8.2	± 30	0.13	1.2
CDRH62-100M	100KHz	10	± 30	0.15	1.1
CDRH62-120M	100KHz	12	± 20	0.2	1
CDRH62-150M	100KHz	15	± 20	0.23	0.9

Special inquiries besides the above common used types can be meet

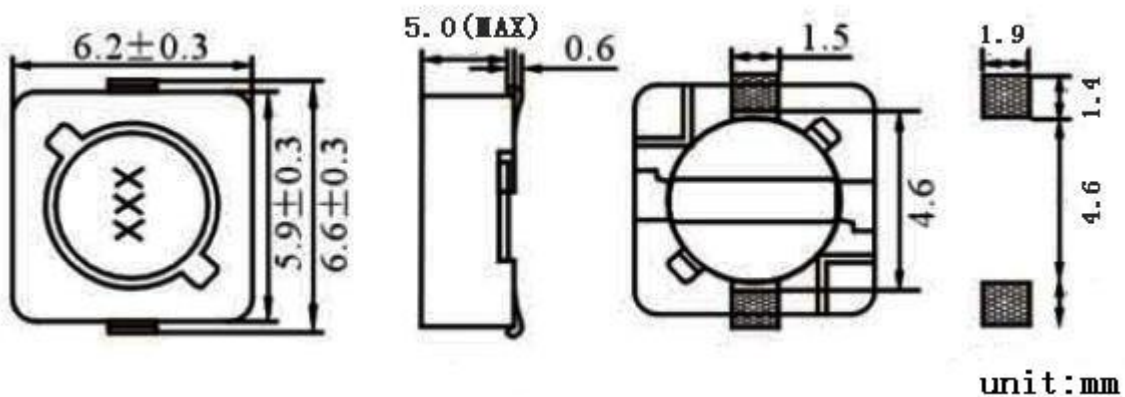
Electrical Characteristics CDRH62 Series

Part NO	Test Condition	Inductance(μ H)	Tolerance(%)	DC Resistance(Ω)Max	Rated Current(A)Max
CDRH62-180M	100KHz	18	± 20	0.27	0.8
CDRH62-220M	100KHz	22	± 20	0.34	0.74
CDRH62-270M	100KHz	27	± 20	0.38	0.66
CDRH62-330M	100KHz	33	± 20	0.45	0.59
CDRH62-390M	100KHz	39	± 20	0.49	0.54
CDRH62-470M	100KHz	47	± 20	0.69	0.5
CDRH62-560M	100KHz	56	± 20	0.78	0.46
CDRH62-680M	100KHz	68	± 20	1.07	0.42
CDRH62-820M	100KHz	82	± 20	1.21	0.38
CDRH62-101M	100KHz	100	± 20	1.39	0.34
CDRH62-121M	100KHz	120	± 20	1.9	0.31
CDRH62-151M	100KHz	150	± 20	2.18	0.28
CDRH62-181M	100KHz	180	± 20	2.77	0.26
CDRH62-221M	100KHz	220	± 20	3.12	0.23
CDRH62-271M	100KHz	270	± 20	4.38	0.22
CDRH62-331M	100KHz	330	± 20	4.94	0.19

Special inquiries besides the above common used types can be meet

CDRH64

SHAPE AND DIMENSIONS



**Electrical Characteristics CDRH64 Series**

Part NO	Test Condition	Inductance(μ H)	Tolerance(%)	DC Resistance(Ω)Max	Rated Current(A)Max
CDRH64-1R0N	100KHz	1	± 30	0.024	4
CDRH64-1R5N	100KHz	1.5	± 30	0.03	3.5
CDRH64-2R2N	100KHz	2.2	± 30	0.038	3.1
CDRH64-3R3N	100KHz	3.3	± 30	0.048	2.8
CDRH64-3R9N	100KHz	3.9	± 30	0.054	2.5
CDRH64-4R7N	100KHz	4.7	± 30	0.06	2.3
CDRH64-5R6N	100KHz	5.6	± 30	0.07	2
CDRH64-6R8N	100KHz	6.8	± 30	0.08	1.7
CDRH64-8R2M	100KHz	8.2	± 20	0.1	1.5
CDRH64-100M	100KHz	10	± 20	0.12	1.35
CDRH64-120M	100KHz	12	± 20	0.13	1.22
CDRH64-150M	100KHz	15	± 20	0.18	1.11
CDRH64-180M	100KHz	18	± 20	0.24	1.02
CDRH64-220M	100KHz	22	± 20	0.27	0.91
CDRH64-270M	100KHz	27	± 20	0.3	0.82
CDRH64-330M	100KHz	33	± 20	0.33	0.74
CDRH64-390M	100KHz	39	± 20	0.37	0.69
CDRH64-470M	100KHz	47	± 20	0.52	0.62
CDRH64-560M	100KHz	56	± 20	0.56	0.58
CDRH64-680M	100KHz	68	± 20	0.63	0.51
CDRH64-820M	100KHz	82	± 20	0.71	0.46
CDRH64-101M	100KHz	100	± 20	1.03	0.42
CDRH64-121M	100KHz	120	± 20	1.15	0.38
CDRH64-151M	100KHz	150	± 20	1.68	0.35
CDRH64-181M	100KHz	180	± 20	1.87	0.32
CDRH64-221M	100KHz	220	± 20	2.08	0.29
CDRH64-271M	100KHz	270	± 20	2.37	0.26
CDRH64-331M	100KHz	330	± 20	2.67	0.23
CDRH64-391M	100KHz	390	± 20	2.94	0.22
CDRH64-471M	100KHz	470	± 20	3.39	0.2
CDRH64-561M	100KHz	560	± 20	5.43	0.18

Special inquiries besides the above common used types can be meet

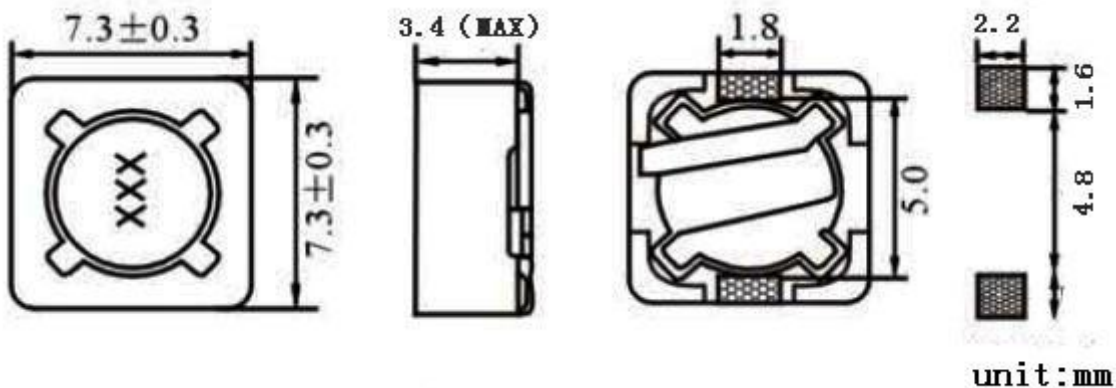
Electrical Characteristics CDRH64 Series

Part NO	Test Condition	Inductance(μ H)	Tolerance(%)	DC Resistance(Ω)Max	Rated Current(A)Max
CDRH64-681M	100KHz	680	± 20	7.32	0.17
CDRH64-821M	100KHz	820	± 20	8.24	0.15
CDRH64-102M	100KHz	1000	± 20	9.26	0.14

Special inquiries besides the above common used types can be meet

CDRH73

SHAPE AND DIMENSIONS



Electrical Characteristics CDRH73 Series

Part NO	Test Condition	Inductance(μ H)	Tolerance(%)	DC Resistance(Ω)Max	Rated Current(A)Max
CDRH73-1R0M	100KHz	1	± 20	0.01	4.9
CDRH73-1R5M	100KHz	1.5	± 20	0.018	4
CDRH73-2R2M	100KHz	2.2	± 20	0.025	3.55
CDRH73-3R3M	100KHz	3.3	± 20	0.03	3.1
CDRH73-3R9M	100KHz	3.9	± 20	0.03	3
CDRH73-4R7M	100KHz	4.7	± 20	0.035	2.78

Special inquiries besides the above common used types can be meet

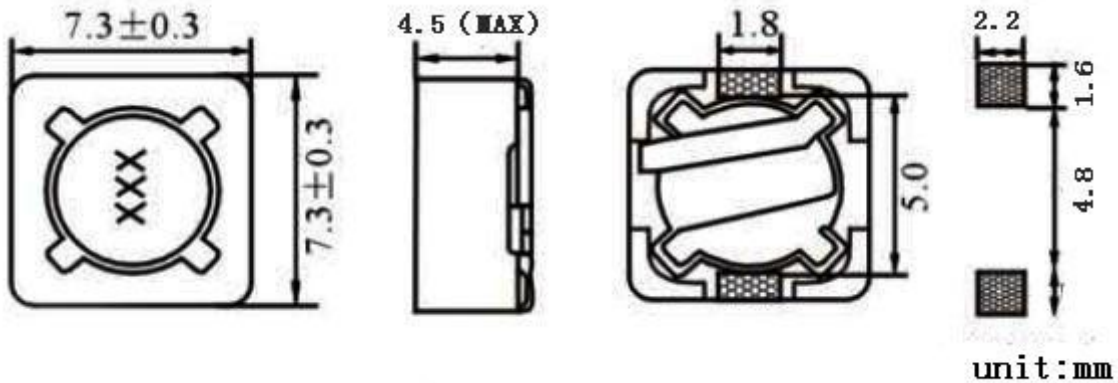
**Electrical Characteristics CDRH73 Series**

Part NO	Test Condition	Inductance(μ H)	Tolerance(%)	DC Resistance(Ω)Max	Rated Current(A)Max
CDRH73-5R6M	100KHz	5.6	± 20	0.047	2.4
CDRH73-6R8M	100KHz	6.8	± 20	0.055	2.1
CDRH73-8R2M	100KHz	8.2	± 20	0.65	1.92
CDRH73-100M	100KHz	10	± 20	0.072	1.68
CDRH73-120M	100KHz	12	± 20	0.098	1.52
CDRH73-150M	100KHz	15	± 20	0.13	1.33
CDRH73-180M	100KHz	18	± 20	0.14	1.2
CDRH73-220M	100KHz	22	± 20	0.19	1.07
CDRH73-270M	100KHz	27	± 20	0.21	0.96
CDRH73-330M	100KHz	33	± 20	0.24	0.91
CDRH73-390M	100KHz	39	± 20	0.32	0.77
CDRH73-470M	100KHz	47	± 20	0.36	0.76
CDRH73-560M	100KHz	56	± 20	0.47	0.68
CDRH73-680M	100KHz	68	± 20	0.52	0.61
CDRH73-820M	100KHz	82	± 20	0.69	0.57
CDRH73-101M	100KHz	100	± 20	0.79	0.5
CDRH73-121M	100KHz	120	± 20	0.89	0.49
CDRH73-151M	100KHz	150	± 20	1.27	0.43
CDRH73-181M	100KHz	180	± 20	1.45	0.38
CDRH73-221M	100KHz	220	± 20	1.65	0.35
CDRH73-271M	100KHz	270	± 20	2.31	0.32
CDRH73-331M	100KHz	330	± 20	2.62	0.28
CDRH73-391M	100KHz	390	± 20	2.94	0.26
CDRH73-471M	100KHz	470	± 20	4.18	0.24
CDRH73-561M	100KHz	560	± 20	4.67	0.22
CDRH73-681M	100KHz	680	± 20	5.73	0.19
CDRH73-821M	100KHz	820	± 20	6.54	0.18
CDRH73-102M	100KHz	1000	± 20	9.44	0.16

Special inquiries besides the above common used types can be meet

CDRH74

SHAPE AND DIMENSIONS



Electrical Characteristics CDRH74 Series

Part NO	Test Condition	Inductance(μ H)	Tolerance(%)	DC Resistance(Ω)Max	Rated Current(A)Max
CDRH74-1R0M	100KHz	1	± 20	0.01	5.3
CDRH74-1R5M	100KHz	1.5	± 20	0.014	4.55
CDRH74-2R2M	100KHz	2.2	± 20	0.016	4.1
CDRH74-3R3M	100KHz	3.3	± 20	0.023	3.5
CDRH74-3R9M	100KHz	3.9	± 20	0.023	3.2
CDRH74-4R7M	100KHz	4.7	± 20	0.028	2.9
CDRH74-5R6M	100KHz	5.6	± 20	0.033	2.65
CDRH74-6R8M	100KHz	6.8	± 20	0.035	2.5
CDRH74-8R2M	100KHz	8.2	± 20	0.05	2.1
CDRH74-100M	100KHz	10	± 20	0.05	1.84
CDRH74-120M	100KHz	12	± 20	0.06	1.71
CDRH74-150M	100KHz	15	± 20	0.08	1.47
CDRH74-180M	100KHz	18	± 20	0.09	1.31
CDRH74-220M	100KHz	22	± 20	0.11	1.23
CDRH74-270M	100KHz	27	± 20	0.15	1.12
CDRH74-330M	100KHz	33	± 20	0.17	0.96
CDRH74-390M	100KHz	39	± 20	0.23	0.91

Special inquiries besides the above common used types can be meet



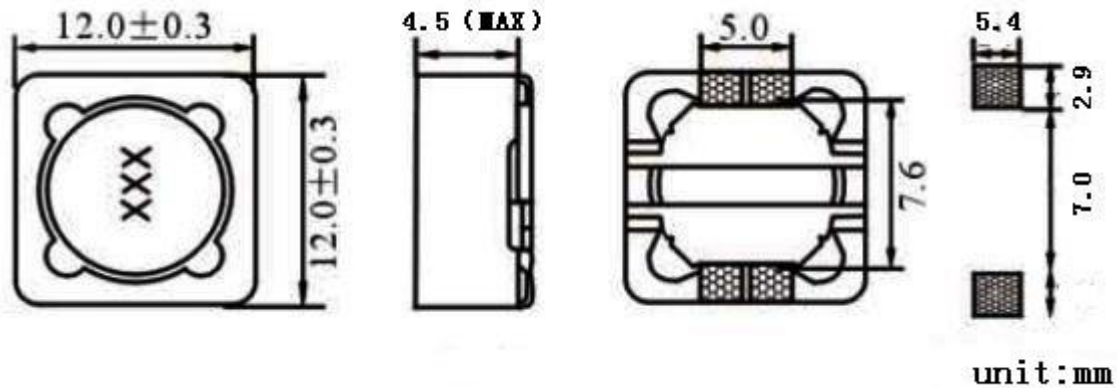
Electrical Characteristics CDRH74 Series

Part NO	Test Condition	Inductance(μ H)	Tolerance(%)	DC Resistance(Ω)Max	Rated Current(A)Max
CDRH74-470M	100KHz	47	± 20	0.26	0.88
CDRH74-560M	100KHz	56	± 20	0.35	0.75
CDRH74-680M	100KHz	68	± 20	0.38	0.69
CDRH74-820M	100KHz	82	± 20	0.43	0.61
CDRH74-101M	100KHz	100	± 20	0.61	0.6
CDRH74-121M	100KHz	120	± 20	0.66	0.52
CDRH74-151M	100KHz	150	± 20	0.88	0.46
CDRH74-181M	100KHz	180	± 20	0.98	0.42
CDRH74-221M	100KHz	220	± 20	1.17	0.36
CDRH74-271M	100KHz	270	± 20	1.64	0.34
CDRH74-331M	100KHz	330	± 20	1.86	0.32
CDRH74-391M	100KHz	390	± 20	2.85	0.29
CDRH74-471M	100KHz	470	± 20	3.01	0.26
CDRH74-561M	100KHz	560	± 20	3.62	0.23
CDRH74-681M	100KHz	680	± 20	1.63	0.22
CDRH74-821M	100KHz	820	± 20	5.2	0.2
CDRH74-102M	100KHz	1000	± 20	6	0.18

Special inquiries besides the above common used types can be meet

CDRH124

SHAPE AND DIMENSIONS



Electrical Characteristics CDRH124 Series

Part NO	Test Condition	Inductance(μH)	Tolerance(%)	DC Resistance(Ω)Max	Rated Current(A)Max
CDRH124-1R0N	1KHz	1	30	0.01	7
CDRH124-2R2N	1KHz	2.2	30	0.014	5.7
CDRH124-3R3N	1KHz	3.3	30	0.015	5.2
CDRH124-4R7N	1KHz	4.7	30	0.018	4.9
CDRH124-5R6N	1KHz	5.6	30	0.02	4.5
CDRH124-6R8N	1KHz	6.8	30	0.023	4.2
CDRH124-8R2N	1KHz	8.2	30	0.026	4
CDRH124-100M	1KHz	10	20	0.028	3.8
CDRH124-120M	1KHz	12	20	0.038	3.5
CDRH124-150M	1KHz	15	20	0.05	3.2
CDRH124-180M	1KHz	18	20	0.057	3.1
CDRH124-220M	1KHz	22	20	0.066	2.9
CDRH124-270M	1KHz	27	20	0.08	2.8
CDRH124-330M	1KHz	33	20	0.097	2.7
CDRH124-390M	1KHz	39	20	0.132	2.1
CDRH124-470M	1KHz	47	20	0.16	1.9
CDRH124-560M	1KHz	56	20	0.19	1.8

Special inquiries besides the above common used types can be meet

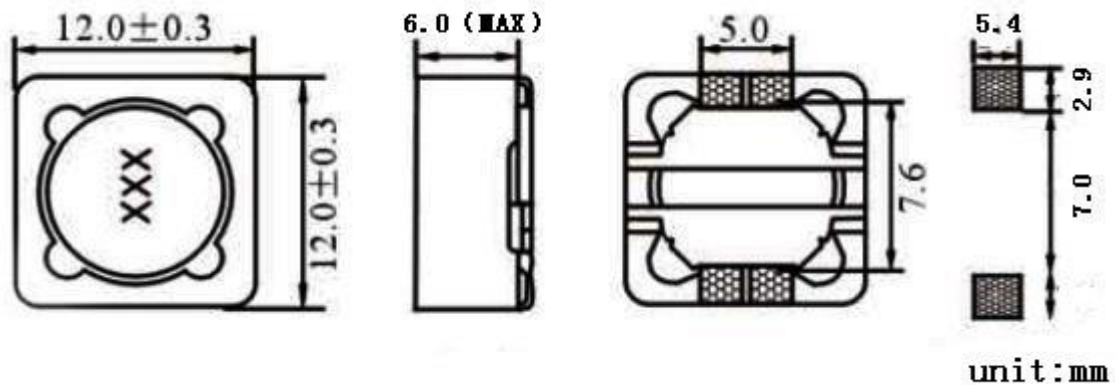
Electrical Characteristics CDRH124 Series

Part NO	Test Condition	Inductance(μ H)	Tolerance(%)	DC Resistance(Ω)Max	Rated Current(A)Max
CDRH124-680M	1KHz	68	20	0.22	1.5
CDRH124-820M	1KHz	82	20	0.26	1.3
CDRH124-101M	1KHz	100	20	0.31	1.2
CDRH124-121M	1KHz	120	20	0.38	1.1
CDRH124-151M	1KHz	150	20	0.53	0.95
CDRH124-181M	1KHz	180	20	0.62	0.85
CDRH124-221M	1KHz	220	20	0.7	0.8
CDRH124-271M	1KHz	270	20	0.87	0.6
CDRH124-331M	1KHz	330	20	0.99	0.5
CDRH124-471M	1KHz	470	20	1.12	0.45
CDRH124-561M	1KHz	560	20	1.2	0.4
CDRH124-681M	1KHz	680	20	1.5	0.35
CDRH124-821M	1KHz	820	20	1.68	0.3
CDRH124-102M	1KHz	1000	20	2	0.27

Special inquiries besides the above common used types can be meet

CDRH125

SHAPE AND DIMENSIONS



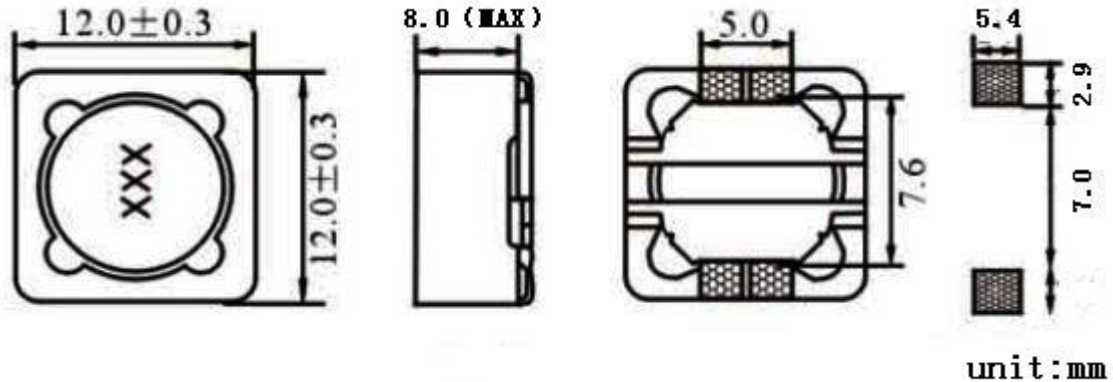
Electrical Characteristics CDRH125 Series

Part NO	Test Condition	Inductance(μ H)	Tolerance(%)	DC Resistance(Ω)Max	Rated Current(A)Max
CDRH125-1R0N	100KHz	1.0	\pm 30	0.012	8
CDRH125-2R2N	100KHz	2.2	\pm 30	0.014	7
CDRH125-3R3N	100KHz	3.3	\pm 30	0.017	6
CDRH125-4R7N	100KHz	4.7	\pm 30	0.020	5
CDRH125-5R6N	100KHz	5.6	\pm 30	0.021	4.4
CDRH125-6R8N	100KHz	6.8	\pm 30	0.024	4.2
CDRH125-100M	100KHz	10	\pm 20	0.025	4
CDRH125-120M	100KHz	12	\pm 20	0.027	3.5
CDRH125-150M	100KHz	15	\pm 20	0.030	3.3
CDRH125-180M	100KHz	18	\pm 20	0.034	3
CDRH125-220M	100KHz	22	\pm 20	0.036	2.8
CDRH125-270M	100KHz	27	\pm 20	0.051	2.3
CDRH125-330M	100KHz	33	\pm 20	0.057	2.1
CDRH125-390M	100KHz	39	\pm 20	0.068	2
CDRH125-470M	100KHz	47	\pm 20	0.075	1.8
CDRH125-560M	100KHz	56	\pm 20	0.110	1.7
CDRH125-680M	100KHz	68	\pm 20	0.120	1.5
CDRH125-820M	100KHz	82	\pm 20	0.140	1.4
CDRH125-101M	100KHz	100	\pm 20	0.160	1.3
CDRH125-121M	100KHz	120	\pm 20	0.170	1.1
CDRH125-151M	100KHz	150	\pm 20	0.230	1
CDRH125-181M	100KHz	180	\pm 20	0.290	0.9
CDRH125-221M	100KHz	220	\pm 20	0.400	0.8
CDRH125-271M	100KHz	270	\pm 20	0.460	0.75
CDRH125-331M	100KHz	330	\pm 20	0.510	0.68
CDRH125-391M	100KHz	390	\pm 20	0.690	0.65
CDRH125-471M	100KHz	470	\pm 20	0.770	0.58
CDRH125-561M	100KHz	560	\pm 20	0.860	0.54
CDRH125-681M	100KHz	680	\pm 20	1.200	0.48
CDRH125-821M	100KHz	820	\pm 20	1.340	0.43
CDRH125-102M	100KHz	1000	\pm 20	1.530	0.4

Special inquiries besides the above common used types can be meet

CDRH127

SHAPE AND DIMENSIONS



Electrical Characteristics CDRH127 Series

Part NO	Test Condition	Inductance(μ H)	Tolerance(%)	DC Resistance(Ω)Max	Rated Current(A)Max
CDRH127-1R0N	100KHz	10	± 30	0.007	9.8
CDRH127-2R2N	100KHz	2.2	± 30	0.012	8
CDRH127-3R3N	100KHz	3.3	± 30	0.014	7.5
CDRH127-4R7N	100KHz	4.7	± 30	0.016	6.8
CDRH127-6R8N	100KHz	6.8	± 30	0.018	6.6
CDRH127-8R2N	100KHz	8.2	± 30	0.020	5.9
CDRH127-100M	100KHz	10	± 20	0.022	5.4
CDRH127-120M	100KHz	12	± 20	0.025	4.9
CDRH127-150M	100KHz	15	± 20	0.027	4.5
CDRH127-180M	100KHz	18	± 20	0.039	3.9
CDRH127-220M	100KHz	22	± 20	0.043	3.6
CDRH127-270M	100KHz	27	± 20	0.046	3.4
CDRH127-330M	100KHz	33	± 20	0.065	3
CDRH127-390M	100KHz	39	± 20	0.073	2.75
CDRH127-470M	100KHz	47	± 20	0.100	2.5
CDRH127-560M	100KHz	56	± 20	0.110	2.35
CDRH127-680M	100KHz	68	± 20	0.140	2.1

Special inquiries besides the above common used types can be meet



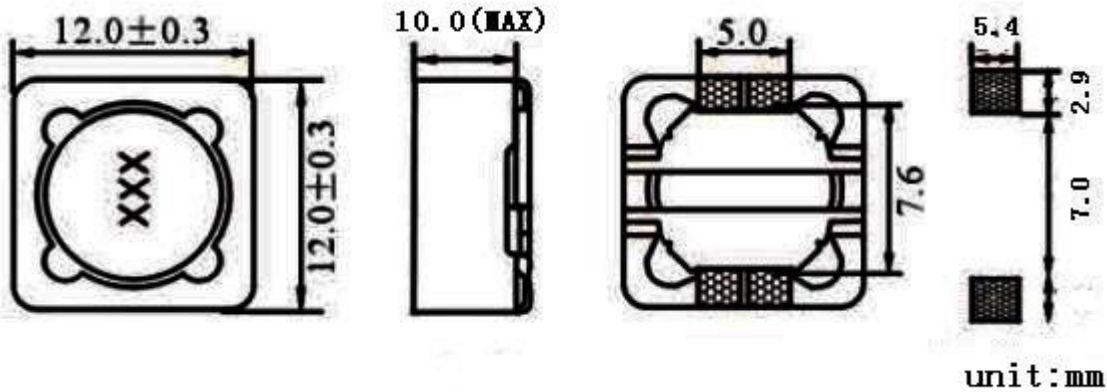
Electrical Characteristics CDRH127 Series

Part NO	Test Condition	Inductance(μ H)	Tolerance(%)	DC Resistance(Ω)Max	Rated Current(A)Max
CDRH127-820M	100KHz	82	± 20	0.160	1.95
CDRH127-101M	100KHz	100	± 20	0.220	1.7
CDRH127-121M	100KHz	120	± 20	0.250	1.6
CDRH127-151M	100KHz	150	± 20	0.280	1.42
CDRH127-181M	100KHz	180	± 20	0.350	1.3
CDRH127-221M	100KHz	220	± 20	0.390	1.16
CDRH127-271M	100KHz	270	± 20	0.560	1.06
CDRH127-331M	100KHz	330	± 20	0.640	0.95
CDRH127-391M	100KHz	390	± 20	0.700	0.88
CDRH127-471M	100KHz	470	± 20	0.980	0.79
CDRH127-561M	100KHz	560	± 20	1.070	0.73
CDRH127-681M	100KHz	680	± 20	1.460	0.67
CDRH127-821M	100KHz	820	± 20	0.640	0.6
CDRH127-102M	100KHz	1000	± 20	1.820	0.55

Special inquiries besides the above common used types can be meet

CDRH129

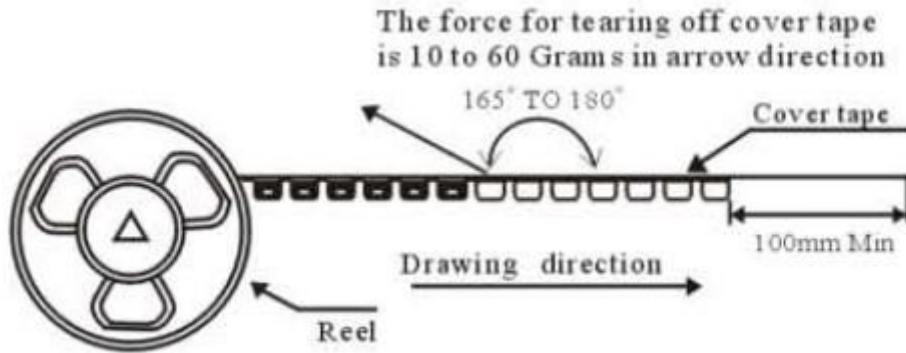
SHAPE AND DIMENSIONS



Electrical Characteristics CDRH129 Series

Part NO	Test Condition	Inductance(μ H)	Tolerance(%)	DC Resistance(Ω)Max	Rated Current(A)Max
CDRH129-1R0M	100KHz	1	± 20	4.2 m	29.6
CDRH129-1R5M	100KHz	1.5	± 20	5.5 m	23.1
CDRH129-2R2M	100KHz	2.2	± 20	6.8 m	18.9
CDRH129-3R3M	100KHz	3.3	± 20	8.3 m	16
CDRH129-4R7M	100KHz	4.7	± 20	11.7 m	13.8
CDRH129-5R6M	100KHz	5.6	± 20	13.2 m	12.2
CDRH129-6R8M	100KHz	6.8	± 20	15.0 m	10.9
CDRH129-8R2M	100KHz	8.2	± 20	20.8 m	9.89
CDRH129-100M	100KHz	10	± 20	23.1 m	9.03
CDRH129-150M	100KHz	15	± 20	33.9 m	7.69
CDRH129-220M	100KHz	22	± 20	50.7 m	6.29
CDRH129-330M	100KHz	33	± 20	64.6 m	5.06
CDRH129-470M	100KHz	47	± 20	97.8 m	4.24
CDRH129-680M	100KHz	68	± 20	0.14	3.52
CDRH129-101M	100KHz	100	± 20	0.21	2.92
CDRH129-151M	100KHz	150	± 20	0.32	2.39
CDRH129-221M	100KHz	220	± 20	0.4	1.98
CDRH129-331M	100KHz	330	± 20	0.62	1.61
CDRH129-471M	100KHz	470	± 20	0.94	1.34
CDRH129-681M	100KHz	680	± 20	1.4	1.11
CDRH129-102M	100KHz	1000	± 20	2.13	0.92

Special inquiries besides the above common used types can be meet



TYPE	QUANTITIES PCS/reel	TYPE	QUANTITIES PCS/reel
CDRH62	1500	CDRH124	750
CDRH64	1000	CDRH125	500
CDRH73	1000	CDRH127	500
CDRH74	1000	CDRH129	400