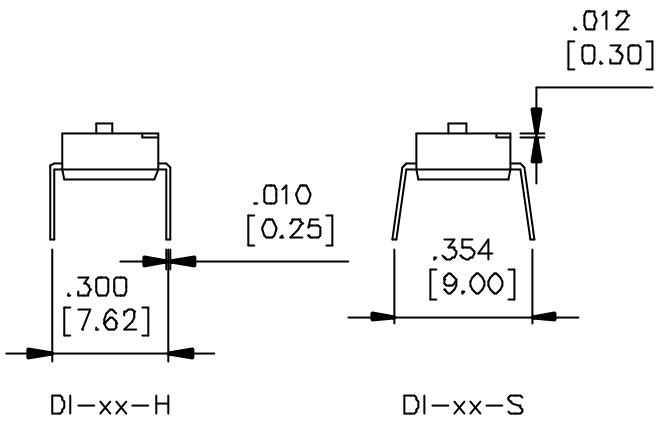
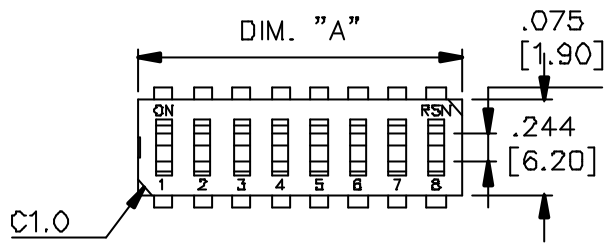
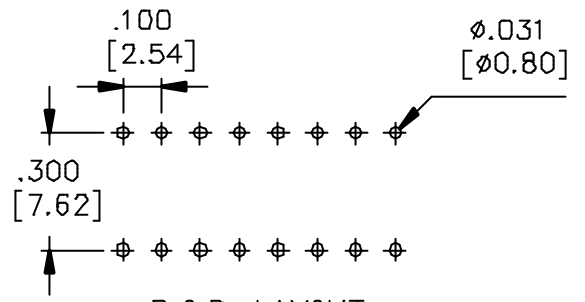
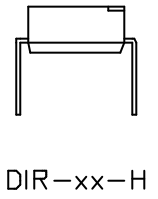
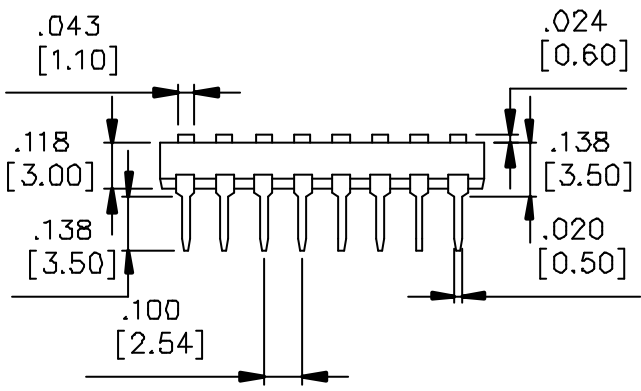


REV. 更改	DESCRIPTION 說明	ENG. 修改人	APPROVE 審核
------------	-------------------	-------------	---------------



NO.	DIM. "A"
DI(R)-01	3.48(.137)
DI(R)-02	6.02(.237)
DI(R)-03	8.56(.337)
DI(R)-04	11.10(.437)
DI(R)-05	13.64(.537)
DI(R)-06	16.18(.637)
DI(R)-07	18.72(.737)
DI(R)-08	21.26(.837)
DI(R)-09	23.80(.937)
DI(R)-10	26.34(1.037)
DI(R)-12	31.42(1.237)



SPECIFICATION :

- Electrical Life: 2,000 operation cycles per switch-24VDC, 25mA.
- Non-switching Rating: 100mA, 50VDC.
- Switching Rating: 25mA, 24VDC.
- Contact Resistance: (a) 50mΩ max. at initial.
(b) 100mΩ max. after life test.
- Insulation Resistance: 100MΩ min. at 500VDC.
- Dielectric Strength: 500VDC/1 minute.
- Mechanical life: 2,000 operations per switch.
- Operation Force: 600gf max.
- Stroke: 0.9mm.
- Operation Temp: -25°C to 70°C.
- Storage Temp: -40°C to 85°C.
- Terminal: Gold plating.

ITEM NO. 料號	DP10-DI-08H-58
----------------	----------------

THESE DRAWINGS AND SPECIFICATIONS ARE THE PROPERTY OF TAIWAY ELECTRONICS LTD. AND SHALL NOT BE REPRODUCED COPIED OR USED IN ANY MANNER WITHOUT THE PRIOR WRITTEN CONSENT OF TAIWAY ELECTRONICS LTD.

UNLESS OTHERWISE SPECIFIED DIMENSIONS ARE IN MILLIMETERS ANGULAR TOLERANCE: ±1.0°

DIMENSIONS	TOLERANCE
0.00 TO 30.00mm	±0.20mm
30.01 TO 80.00mm	±0.25mm
80.01 TO 150.00mm	±0.30mm
150.01 ↑	±0.40mm

MATERIAL

泰瑋電子有限公司 TAIWAY ELECTRONICS COMPONENTS CO.,LTD.	
USED 用途 DP10	APPD. 審核 Andy 2003/10/15
FINISH 處理	CHKD. 校對 Andy 2003/10/15
SCALE 比例 2 / 1	UNIT 單位 in(mm)
DR. 製圖 Andy 2003/10/15	
TITLE 名稱 DIP SWITCH	SIZE 圖紙 A4
DWG NO. 圖號 DP10-DI-xx	REV. 更改 1
FILE NAME 檔案名稱 DI-xx.dwg	SHEET 張 1 / 1