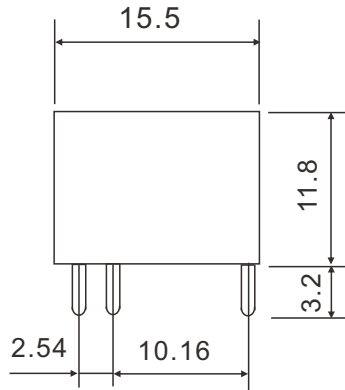
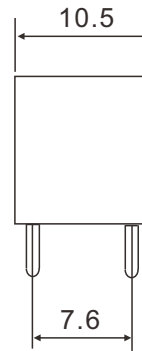


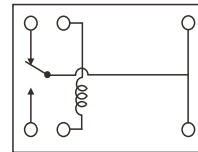
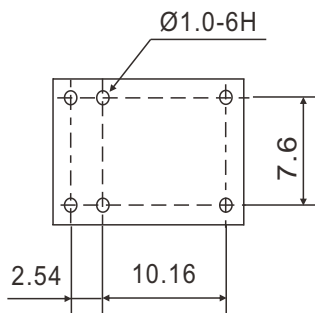
DIMENSIONS(±0.2mm)



P.C.B LAYOUT
(BOTTOM VIEW)



WIRING DIAGRAM
(BOTTOM VIEW)



GENERAL DATA

Insulation Resistance	100 MΩ Min. (DC 500V)
Dielectric Strength	500 VAC, 50/60Hz between contact.
	500 VAC, 50/60Hz between all elements.
Contact Material	Ag Alloy.
Contact Resistance	100 milliohms max. (initial value)
Shock Resistance	Malfunction: 10G(11ms) ; Destructive: 100G(6ms)
Vibration Resistance	Malfunction: 10 to 55 Hz. at Double Amplitude of 1.5 mm
	Destructive: 10 to 55 Hz. at Double Amplitude of 1.5 mm
Operation Time	5 ms max.
Release Time	5 ms max.
Temperature Range	-30°C ~ + 70°C
Expected Life	With operation rate 30/min.
	Mechanical - 10,000,000 operations min.
	Electrical - 50,000 operations min. at rated load.
Weight	4 grams