



element14

EN - For pricing and availability in your local country please visit one of the below links:

DE - Informationen zu Preisen und Verfügbarkeit in Ihrem Land erhalten Sie über die unten aufgeführten Links:

FR - Pour connaître les tarifs et la disponibilité dans votre pays, cliquez sur l'un des liens suivants:

[MCCMA51-S-DC12V-C](#)

EN

This Datasheet is presented by
the manufacturer

DE

Dieses Datenblatt wird vom
Hersteller bereitgestellt

FR

Cette fiche technique est
présentée par le fabricant



Coil Data

Nominal Voltage	: 12 V dc
Coil Resistance	: Refer to coil data chart
Operate Voltage	: Refer to coil data chart
Release Voltage	: Refer to coil data chart
Coil Power	: 600 mW, 800 mW

Contact Data

Contact Form	: C-1 form C
Contact Material	: Ag Alloy
Contact Rating	: 20 A 14 V dc Resistive
Maximum Switching Voltage	: 16 V dc
Maximum Carrying Current	: 35 A / 10 minutes. 25 A / 1hr
Maximum Switching Load	: 35 A
Maximum Inrush Current	: 60 A
Minimum Switching Load	: 6 V dc 1 A
Contact Resistance	: $\leq 50 \text{ m}\Omega$ (6 V dc 1 A)

Life

Electrical	: 100,000 operations
Mechanical	: 10,000,000 operations

General Data

Minimum Insulation Resistance	: 100 M Ω 500 V dc
Dielectric Strength	: 500 V ac, 1 min between open contacts : 500 V ac, 1 min between coil and contacts
Maximum Operate Time	: 10 ms
Maximum Release Time	: 10 ms
Operate Temperature	: -30 to +85°C

Shock Resistance

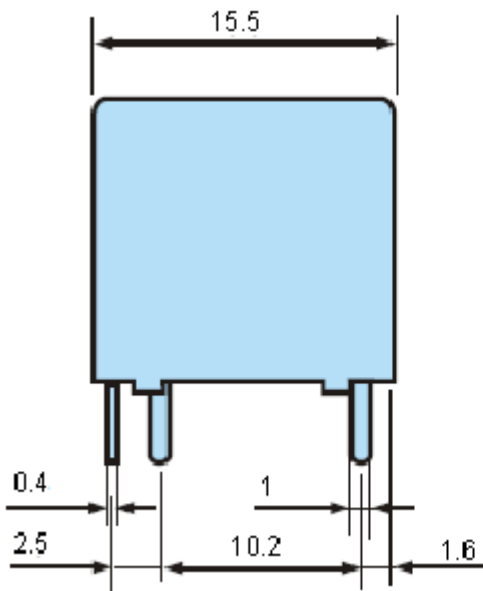
Minimum Endurance	: 100 m/s ²
Minimum Misoperation	: 1,000 m/s ²

General Data

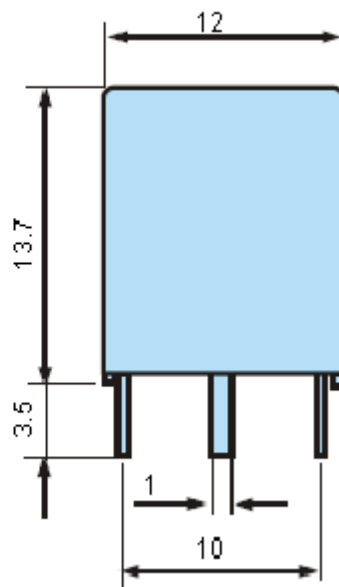
Vibration Resistance

Endurance : 10 -55 Hz, double amplitude 1.5 mm
 Misoperation : 10 -55 Hz, double amplitude 1.5 mm
 Weight : Approximately 6 g

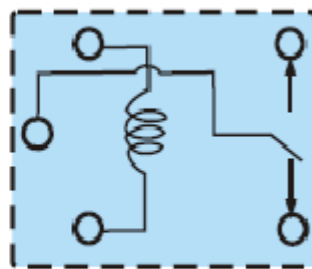
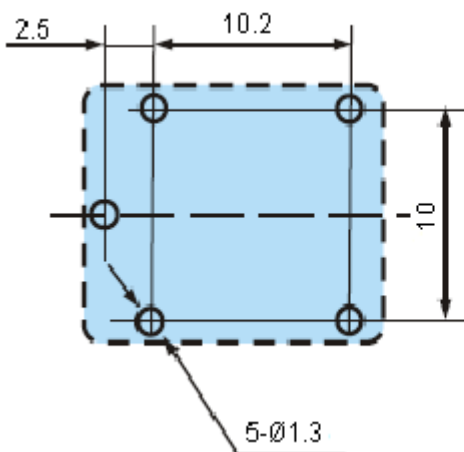
Dimensions



Wiring Diagrams



Mounting Hole Layout

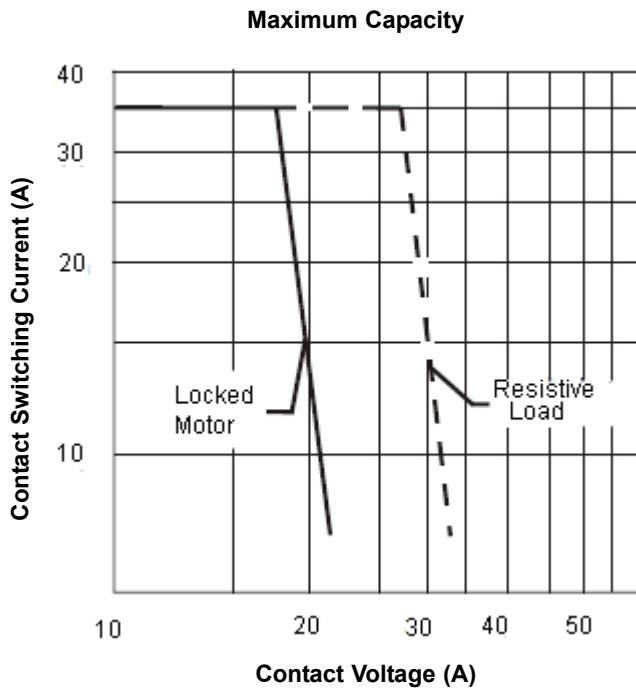


Dimensions : Millimetres

Coil Data Chart 20°C

Nominal Voltage V dc	Coil Resistance $\Omega \pm 10\%$	Operate Voltage $\leq V$ dc	Release Voltage $\geq V$ dc	Coil Power mW
12	180	7.2	1.2	800

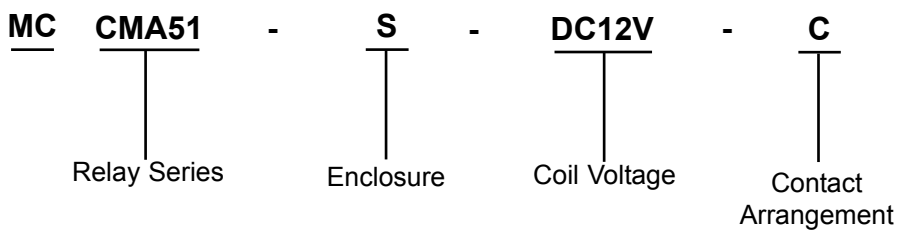
Characteristic Data



Part Number Table

Description	Part Number
Relay, Auto, SPDT, 12 V dc, 0.8 W	MCCMA51-S-DC12V-C

Part Number Explanation:



- Relay Series** : CMA51 = Contact Gap: 0.3 mm
- Enclosure** : S = Washable
- Contact Arrangement** : C = C-1 Form C

Important Notice : This data sheet and its contents (the "Information") belong to the members of the Premier Farnell group of companies (the "Group") or are licensed to it. No licence is granted for the use of it other than for information purposes in connection with the products to which it relates. No licence of any intellectual property rights is granted. The Information is subject to change without notice and replaces all data sheets previously supplied. The Information supplied is believed to be accurate but the Group assumes no responsibility for its accuracy or completeness, any error in or omission from it or for any use made of it. Users of this data sheet should check for themselves the Information and the suitability of the products for their purpose and not make any assumptions based on information included or omitted. Liability for loss or damage resulting from any reliance on the Information or use of it (including liability resulting from negligence or where the Group was aware of the possibility of such loss or damage arising) is excluded. This will not operate to limit or restrict the Group's liability for death or personal injury resulting from its negligence. Multicomp is the registered trademark of the Group. © Premier Farnell plc 2011.



element14

EN - For pricing and availability in your local country please visit one of the below links:

DE - Informationen zu Preisen und Verfügbarkeit in Ihrem Land erhalten Sie über die unten aufgeführten Links:

FR - Pour connaître les tarifs et la disponibilité dans votre pays, cliquez sur l'un des liens suivants:

[MCCMA51-S-DC12V-C](#)

EN

This Datasheet is presented by
the manufacturer

DE

Dieses Datenblatt wird vom
Hersteller bereitgestellt

FR

Cette fiche technique est
présentée par le fabricant