

6

5

4

3

2

1

D

D

C

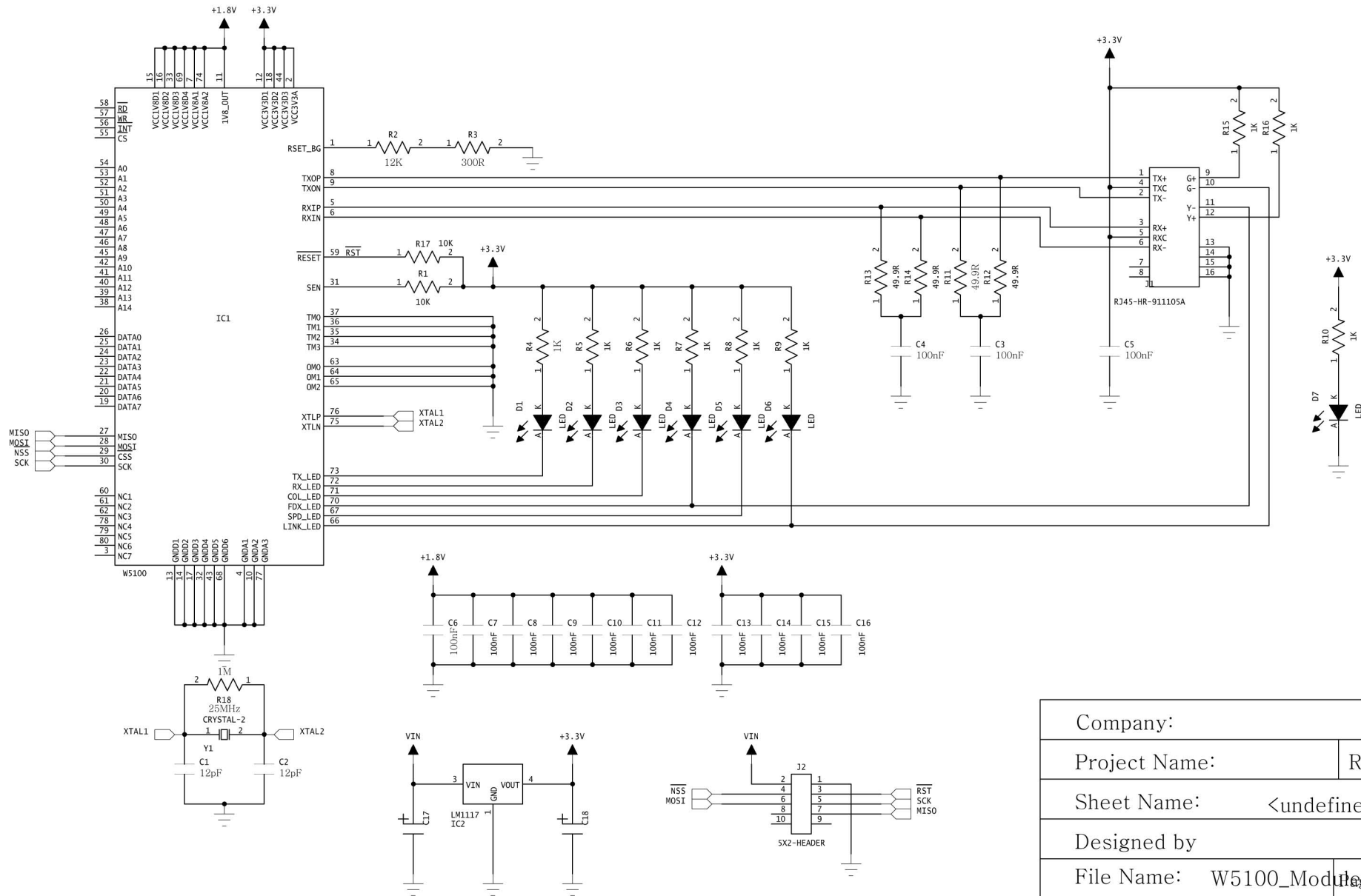
C

B

B

A

A



Company:	
Project Name:	Rev:
Sheet Name:	<undefined>
Designed by	
File Name:	W5100_Module.sch
Date :	Page Num: 1 of 1