

Standard Bipolar Capacitors Series R2B [RBP2]

- Guarantees 2000 hours at 85°C.



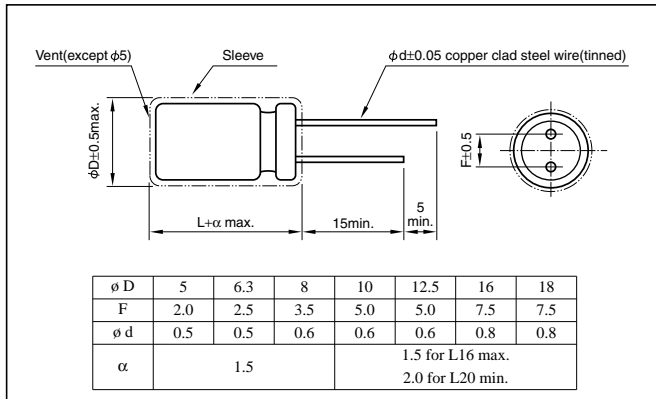
Marking color : White print on a blue sleeve or White print on an indigo blue sleeve

Specifications

Item	Performance									
Category temperature range (°C)	-40 to +85									
Tolerance at rated capacitance (%)	±20 (20°C, 120Hz)									
Leakage current (µA)	Less than 0.03CV + 3 (after 5 minutes) C: Rated capacitance(µF); V: Rated voltage(V) (20°C)									
Tangent of loss angle (tanδ)	Rated voltage (V)		6.3	10	16	25	35	50	63	100
	tanδ (max.)		0.24	0.24	0.20	0.20	0.16	0.14	0.12	0.10
0.02 is added to every 1000µF increase over 1000µF (20°C, 120Hz)										
Characteristics at high and low temperature	Rated voltage (V)		6.3	10	16	25	35	50	63	100
	Impedance ratio (max.)	Z-25°C / Z+20°C	4	3	2	2	2	2	2	2
Z-40°C / Z+20°C		10	8	6	4	3	3	3	3	
0.5 for -25°C, 1 for -40°C are added to every 1000µF increase over 1000µF (120Hz)										
Endurance (85°C) (Applied ripple current)	Test time		2000 hours (with the polarity inverted every 250 hours)							
	Leakage current		The initial specified value or less							
	Percentage of capacitance change		Within ±20% of initial value							
	Tangent of the loss angle		150% or less of the initial specified value							
Shelf life (85°C)	Test time : 1000 hours. Other have same as endurance. Voltage application treatment									
Applicable standards	JIS C5101-1, -4 1998 (IEC 60384-1 1992, -4 1985)									

Outline Drawing

Unit: mm



Coefficient of Frequency for Rated Ripple Current

Frequency(Hz)	50 - 60	120	1k	10k - 100k
Rated voltage(V)				
6.3 to 16	0.8	1	1.1	1.2
25 to 35	0.8	1	1.5	1.7
50 to 100	0.8	1	1.6	1.9

Part numbering system (example: 10V1000µF)

Environmental item	R2B	10	V	102	M	15	#
	Series code	Rated voltage symbol		Rated capacitance symbol	Capacitance tolerance symbol		Casing symbol
Former item	R2B	10	V	102	M		
	Series code	Rated voltage symbol		Rated capacitance symbol	Capacitance tolerance symbol		

Casing symbol

Case φ DxL(mm)	Casing Symbol	Case φ DxL(mm)	Casing Symbol	Case φ DxL(mm)	Casing Symbol	Case φ DxL(mm)	Casing Symbol
5x11	E3	10x12.5	H3	12.5x20	I5	16x31.5	J7
6.3x11	F3	10x16	H4	12.5x25	I6	16x35.5	J8
8x11.5	G3	10x20	H5	16x25	J6	18x35.5	K8
						18x40	K9

Standard Ratings

Rated capacitance(µF)	6.3		10		16		25		35		50		63		100	
	Case φ DxL(mm)	Rated ripple current mArms	Case φ DxL(mm)	Rated ripple current mArms	Case φ DxL(mm)	Rated ripple current mArms	Case φ DxL(mm)	Rated ripple current mArms	Case φ DxL(mm)	Rated ripple current mArms	Case φ DxL(mm)	Rated ripple current mArms	Case φ DxL(mm)	Rated ripple current mArms	Case φ DxL(mm)	Rated ripple current mArms
0.1	—	—	—	—	—	—	—	—	—	—	—	—	—	—	—	—
0.22	—	—	—	—	—	—	—	—	—	—	—	—	—	—	—	—
0.33	—	—	—	—	—	—	—	—	—	—	—	—	—	—	—	—
0.47	—	—	—	—	—	—	—	—	—	—	—	—	—	—	—	—
1	—	—	—	—	—	—	—	—	—	—	—	—	—	—	—	—
2.2	—	—	—	—	—	—	—	—	—	—	—	—	—	—	—	—
3.3	—	—	—	—	—	—	—	—	—	—	—	—	—	—	—	—
4.7	—	—	—	—	—	—	5x11	28	5x11	28	5x11	31	5x11	34	6.3x11	41
10	—	—	—	—	5x11	39	5x11	40	5x11	42	5x11	45	6.3x11	57	8x11.5	70
22	—	—	5x11	52	5x11	58	5x11	60	6.3x11	71	6.3x11	77	8x11.5	89	10x16	136
33	5x11	58	5x11	63	5x11	71	6.3x11	84	6.3x11	87	8x11.5	111	10x12.5	144	10x20	181
47	5x11	69	5x11	75	6.3x11	97	6.3x11	100	8x11.5	122	10x12.5	157	10x16	18	12.5x20	248
100	6.3x11	115	6.3x11	126	8x11.5	167	10x12.5	204	10x12.5	212	10x20	273	12.5x20	343	16x25	458
220	8x11.5	202	8x11.5	221	10x12.5	294	10x16	332	10x20	375	12.5x25	506	16x25	645	18x35.5	837
330	8x11.5	247	10x12.5	322	10x16	394	10x20	444	12.5x20	526	12.5x25	620	—	—	—	—
470	10x12.5	350	10x16	420	10x20	513	12.5x20	607	12.5x25	685	16x25	861	—	—	—	—
1000	10x20	611	12.5x20	767	12.5x25	935	16x25	1120	16x31.5	1270	—	—	—	—	—	—
2200	12.5x25	1090	16x25	1380	16x31.5	1660	—	—	—	—	—	—	—	—	—	—
3300	16x25	1490	16x31.5	1760	—	—	—	—	—	—	—	—	—	—	—	—
4700	16x31.5	1880	18x35.5	2280	—	—	—	—	—	—	—	—	—	—	—	—

(Note) Rated ripple current : 85°C, 120Hz

NOTE Design, Specifications are subject to change without notice. Ask factory for technical specifications before purchase and/or use.