

10W, ultra-wide voltage input, isolated and regulated single/dual output

- Ultra-wide input range (4:1), output 15W
- Conversion efficiency 91% (Typ)
- Isolation voltage 1500Vdc
- Ultra-low standby power consumption: 0.036W (typical)
- Ultra-fast startup: 1mS (typ.)
- Operating temperature range: -40~+85
- Input undervoltage, output short circuit, overcurrent, overvoltage protection
- Metal housing, low output ripple
- International standard pins, PCB board direct installation



RoHS

Application: UR(A)B_YMD-10WR3 series products have an output power of 10W, a 4:1 ultra-wide voltage input range, an efficiency of up to 91%, and a conventional isolation of 1500VDC voltage, the allowable operating temperature is -40~+85, it has input undervoltage protection, output overvoltage, overcurrent, and short circuit protection functions, the bare metal meets CISPR32/EN55032 CLASSA, and is widely used in medical, industrial control, electric power, instrumentation, communications, railways and other fields.

Crest naming: **UR(A)B2405YMD-10WR3**



crest

Product Model	Vdc		longevity 年/年		vinegar	Maximum capacity OX	Efficiency@full %
	Nominal value Howl	Maximum	longevity Longing	Longevity jacket m.a.			
URB2403YMD-10WR3	24 9-36	40	3.3	2400/0	30/50	2500	80/82
URB2405YMD-10WR3			5	2000/0	30/50	2200	83/85
URB2412YMD-10WR3			12	833/0	50/80	680	87/89
URB2415YMD-10WR3			15	666/0	50/80	470	88/90
URB2424YMD-10WR3			24	416/0	50/80	220	89/91
URA2405YMD-10WR3			±5	±1000/0	30/50	1100	83/85
URA2412YMD-10WR3			±12	±416/0	50/80	330	86/88
URA2415YMD-10WR3			±15	±333/0	50/80	220	88/90
URA2424YMD-10WR3			±24	±208/0	30/50	100	89/91
URB4803YMD-10WR3	48 18-75	80	3.3	2400/0	30/50	2500	80/82
URB4805YMD-10WR3			5	2000/0	50/80	2200	83/85
URB4812YMD-10WR3			12	833/0	50/80	680	87/89
URB4815YMD-10WR3			15	666/0	50/80	470	88/90
URB4824YMD-10WR3			24	416/0		220	89/91

URA4805YMD-10WR3			±5	±1000/0	30/50	1100	83/85
			±12	±416/0	50/80	330	86/88
			±15	±333/0	50/80	220	88/90
			±24	±208/0	50/80	100	89/91
URB11003YMD-10WR3	110	180	3.3	2400/0	30/50	2500	80/82
			5	2000/0	30/50	2200	83/85
			12	833/0	50/80	680	87/89
			15	666/0	50/80	470	88/90
			24	416/0	50/80	220	89/91
			±5	±1000/0	30/50	1100	83/85
			±12	±416/0	50/80	330	86/88
			±15	±333/0	50/80	220	88/90
			±24	±208/0	50/80	100	89/91
			URA11005YMD-10WR3	40-160			

2. imperial edict

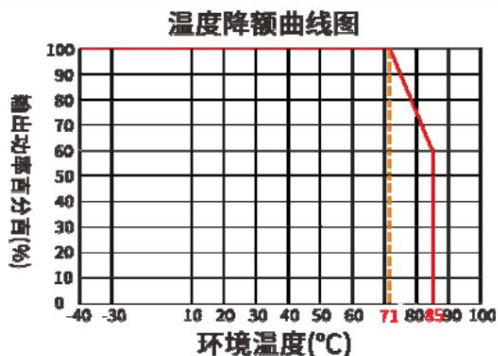
yyyyyyyyyyyyyyyyyyyyyyyyyy25yy swearyyyyyy

kun cesium

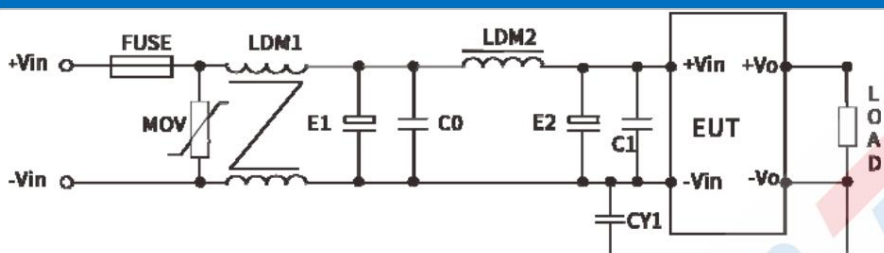
ÿ	The description of Po	Min.		Max.	Vomit
Kunming / X	24VDC power supply	3.3V	-	Type. 402/1 413/2	m.a.
		Awl	-	490/1 502/2	
	48VDC power supply	3.3V	-	201/0.5 207/1	
		Awl	-	245/0.5 251/1	
	110VDC power supply	3.3V	-	87/0.3 90/0.5	
		Awl	-	100/0.3 109/0.5	
Guide	24VDC power supply	-	40	-	m.a.
	48VDC power supply	-	30	-	
	110VDC power supply	-	20	-	
ÿÿÿÿ Isec.max	24VDC power supply	-0.7	-	50	VDC
	48VDC power supply	-0.7	-	100	
	110VDC power supply	-0.7	-	200	
Chaqi	24VDC power supply	-	-	9	VDC
	48VDC power supply	-	-	18	
	110VDC power supply	-	-	40	
ÿÿÿ	24VDC power supply	5.5	6.5	-	mS
	48VDC power supply	12	15.5	-	
	110VDC	32	36	-	
The			1		
PI or					

The MIL-HDBK-217F@25y 2X105 Hrs

Make a vow



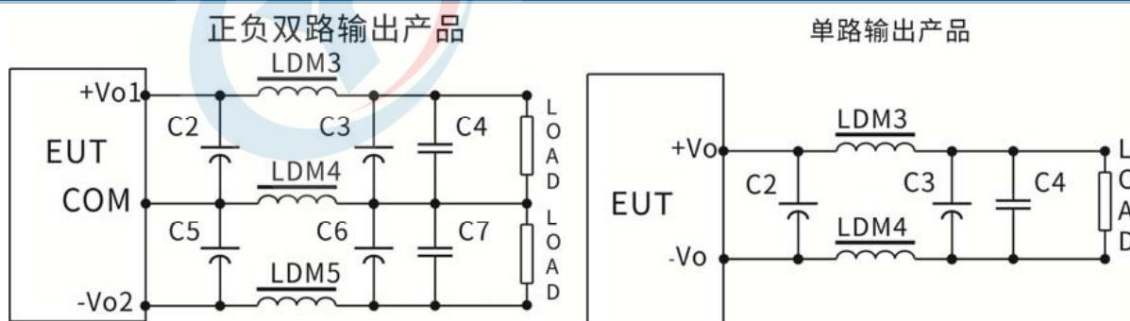
EMC



The review process is as follows:

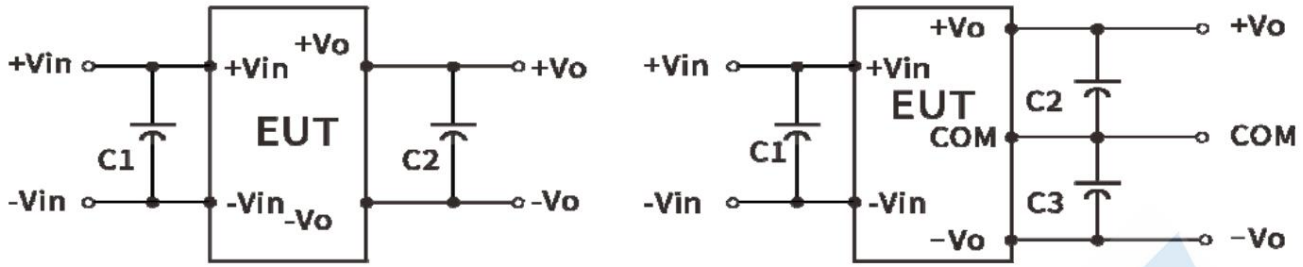
24V 48V			110V
FySE Saliva			
MOV	14D560K	14D101K	14D201K
LDM1 Lotus 10 mH		15 mH	30 mH
E1/E2 100yF/50V		100yF/100V	63yF/200V
C0 and C1 1yF/50V		1yF/100V	0.47yF/250V
LDM2 Lotus Flower	10 yH	15 yH	68 yH
CY1 CY2		1nF/250Vac	

Longevity



YLPTEC

1-way DC/DC C147-100µF C2-way
 C310-22µF



2-way & 2-way 20MHZ, 1-way 12# 12-way 12-
 way

20MHz100MµF Deputy 0.1uF Drama bridle
 47uF Sample 2y longevity wrinkle
 Feng, y
 serve

30cm±2cm

exclusively listen wa liao yan shou special Xi
 Rolling

