

- Compliant with IEEE 802.3u and ANSI X3.263 standards including 350uH OCL with 8mA Bias.
- Operating temperature range: 0 to +70
- Storage temperature range: -25 to +105



Electrical Specifications @25

Part Number	Insertion Loss (dB Max)	Return Loss (dB Min)					Cross talk (dB Min)	DCMR (dB Min)
		0.3-100MHz	30MHz	40MHz	50MHz	60MHz		
16PT8510	-1.15	-16	-14	-13.5	-13	-12	-35	-30
16PT8510A	-1.15	-16	-14	-13.5	-13	-12	-35	-30
16PT8510X*	-1.15	-16	-14	-13.5	-13	-12	-35	-30
16PT8511	-1.15	-16	-14	-13.5	-13	-12	-35	-30
16PT8517	-1.15	-16	-14	-13.5	-13	-12	-35	-30
16PT8517-1	-1.15	-16	-14	-13.5	-13	-12	-35	-30
16PT8515	-1.15	-16	-14	-13.5	-13	-12	-35	-30
16PT8515-4	-1.15	-16	-14	-13.5	-13	-12	-35	-30
16PT8520	-1.1	-16	-14	-13.5	-13	-12	-35	-30
16PT8520X*	-1.1	-16	-14	-13.5	-13	-12	-35	-30

Continue

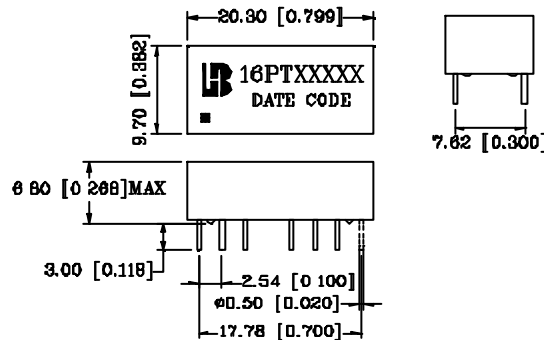
Part Number	Turn Ratio (±5%)		OCL(uH Min) @100KHz/0.1V with 8.0mA DC	HI-POT (Vrms)	Rise Time (10-90%) nS Typ	Mechanical Number
	Transmit	Receive				
16PT8510	1CT:1CT	1CT:1CT	350	1500	2.5	DP2
16PT8510A	1CT:1CT	1CT:1CT	350	1500	2.5	DP2
16PT8510X*	1CT:1CT	1CT:1CT	350	1500	2.5	DP5
16PT8511	1CT:1CT	1CT:1CT	350	1500	2.5	DP7
16PT8517	1CT:1CT	1CT:1CT	350	1500	2.5	DP6
16PT8517-1	1CT:1	1CT:1CT	350	1500	-	DP2
16PT8515	1CT:1	1CT:1CT	350	1500	2.5	DP1
16PT8515-4	1CT:1CT	1CT:1CT	350	1500	2.5	DP1
16PT8520	1CT:1CT	1:1	350	1500	2.5	DP3
16PT8520X*	1CT:1CT	1CT:1CT	350	1500	-	DP4

NOTE:

* Symmetrical TX and RX channels for Auto MDI/MDIX capability

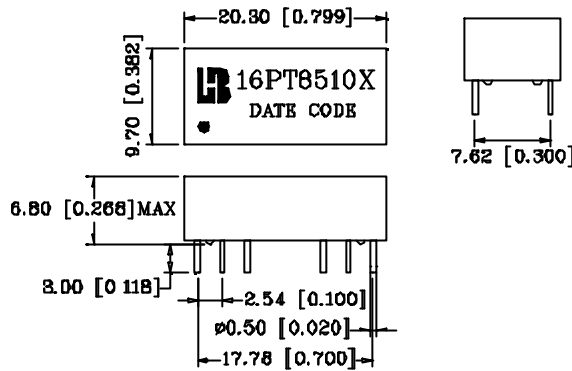
Mechanicals

DP1



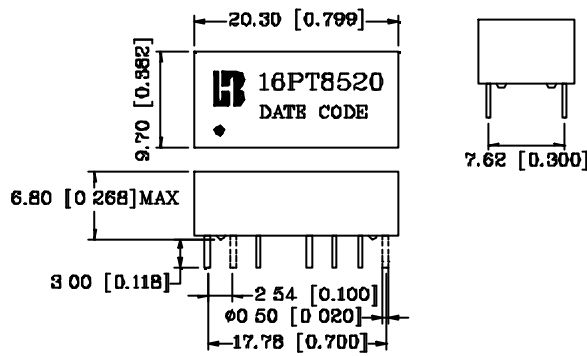
Units: mm [Inches] Tolerances: xx.x0±0.25 [0.010]
0.xx±0.05 [0.002]

DP2



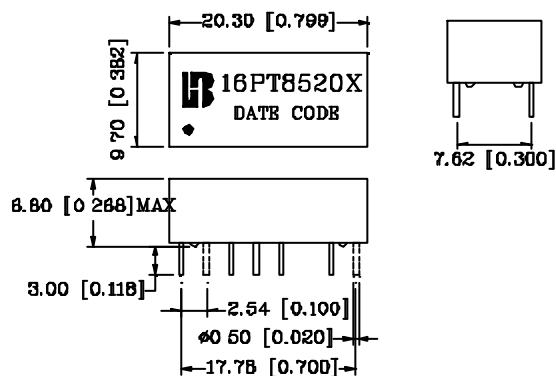
Units: mm[Inches] Tolerances: xx.x0±0.25[0.010]
0.xx±0.05[0.002]

DP3



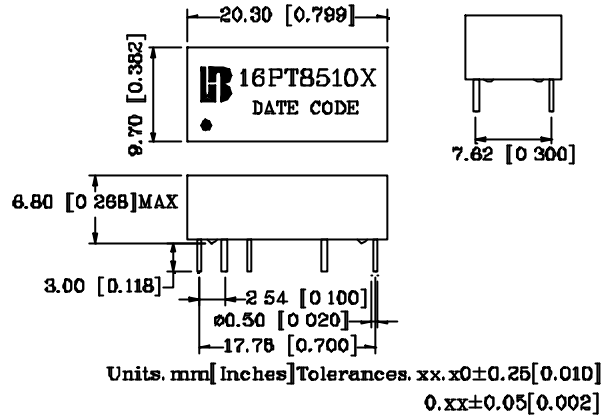
Units: mm[Inches] Tolerances: xx.x0±0.25[0.010]
0.xx±0.05[0.002]

DP4

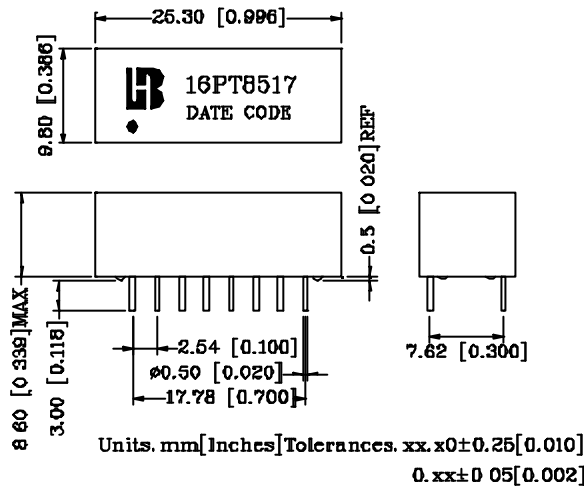


Units: mm[Inches] Tolerances: xx.x0±0.25[0.010]
0.xx±0.05[0.002]

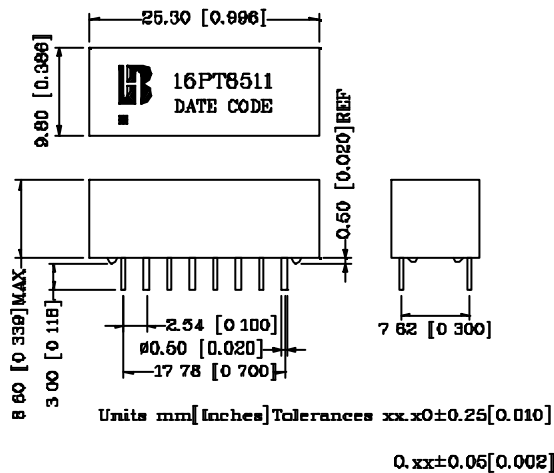
DP5



DP6

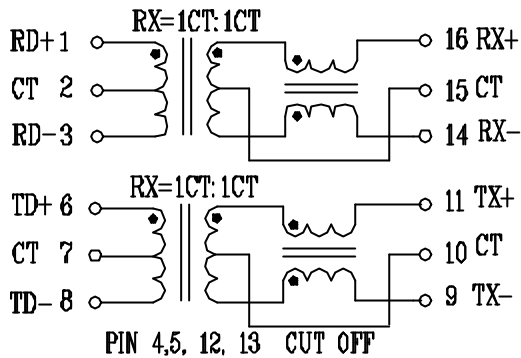


DP7

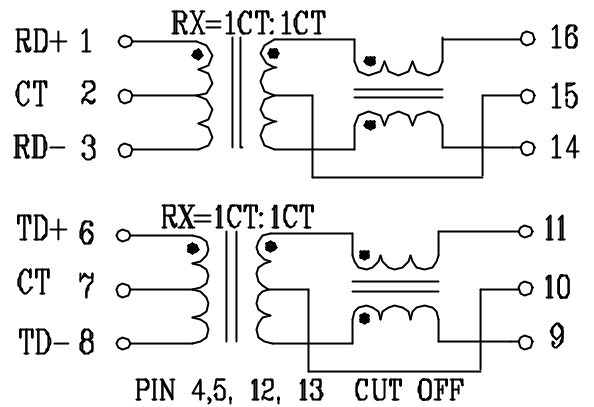


Schematics

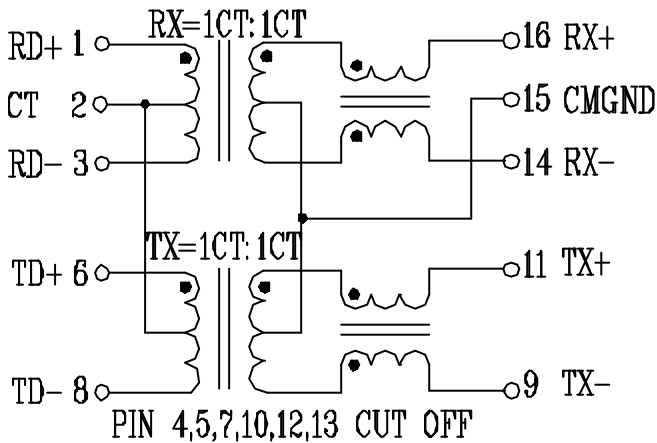
16PT8510



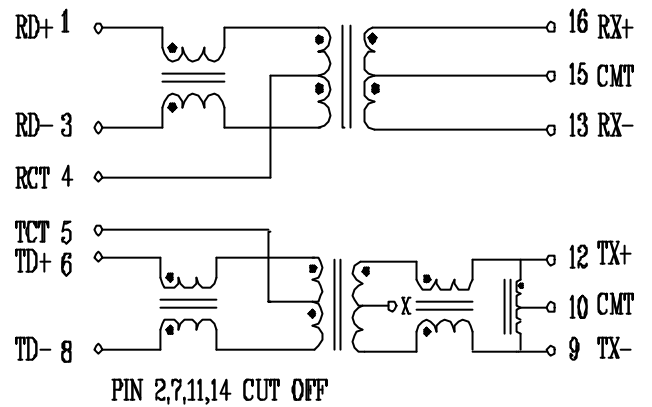
16PT8510A



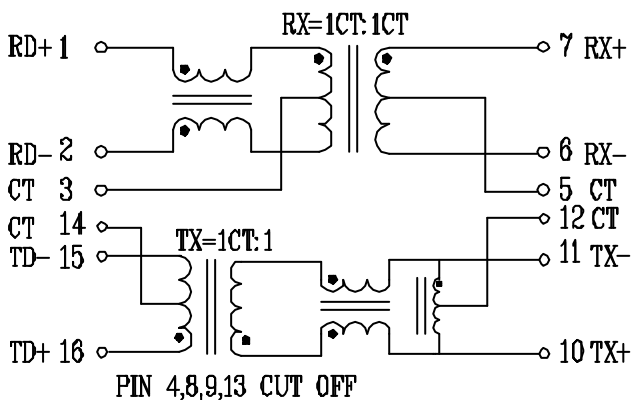
16PT8510X



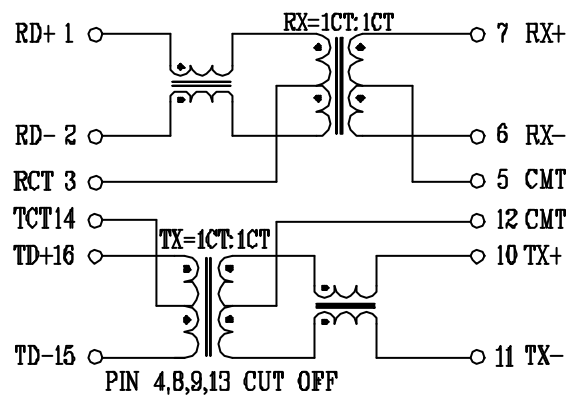
16PT8511



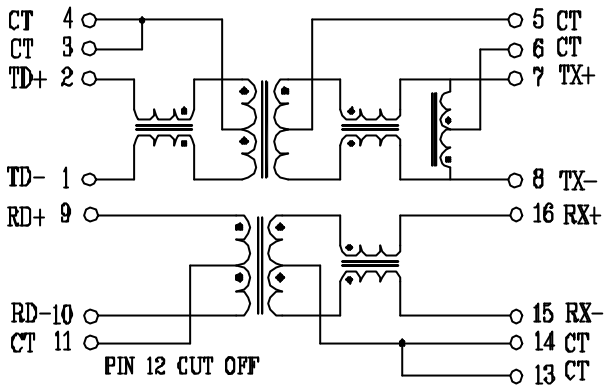
16PT8515



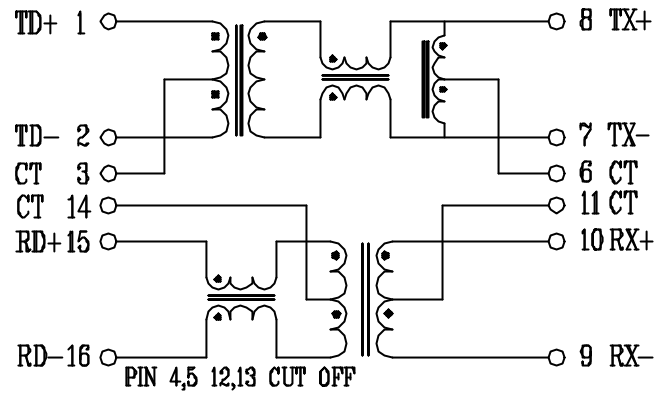
16PT8515-4



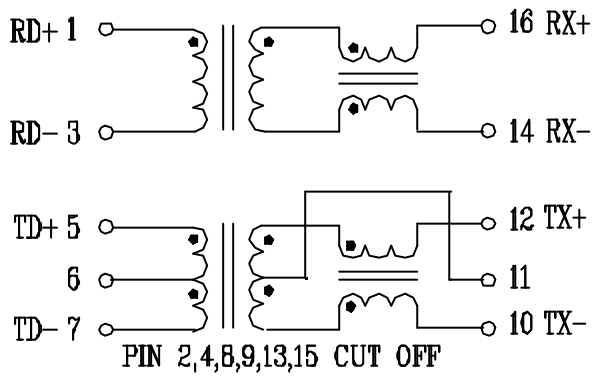
16PT8517



16PT8517-1



16PT8520



16PT8520X

