

PRODUCT

- ▶ 产品介绍
- ▶ 产品特征
- ▶ 用语说明
- ▶ 产品分类
 - SPS
 - SP
 - GSP
 - MBV
 - MCV
- ▶ 产品咨询



产品种类

Home > Product > 产品种类 > STEPPING MOTOR > SP-15RF

SP-15RF-TYPE

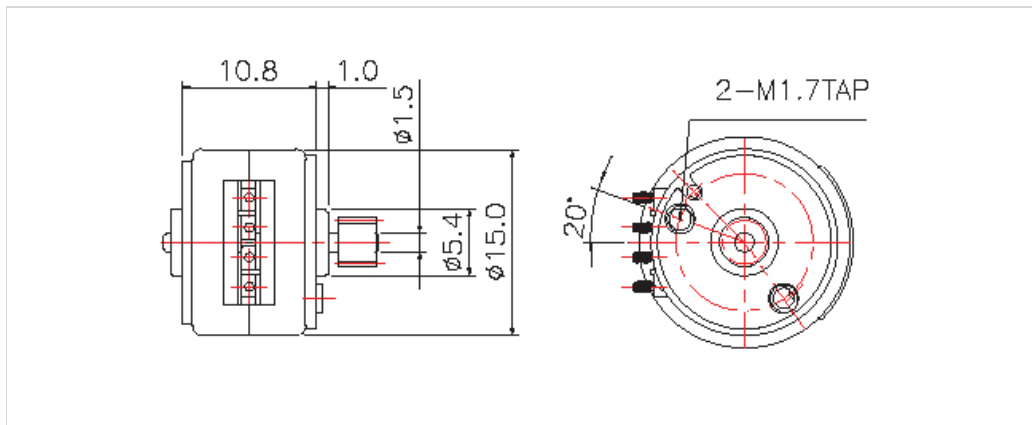


Specification

Series	Step angle	Voltage	Resistance	Phase	Drive Mode	Max. No Load Response (PPS)	Max. Slew Speed (PPS)
	degree	VDC	$\Omega \pm 7\%$				
010K	18 Σ	7.2	30	2-2	Bipolar V Const	920	-
012K		5	12			1030	-
015K		8.5	20			1050	-
070K		7.2	30			920	-
080K		7.2	17.7			1100	-
210			43			980	1200
600K		5	30			700	-

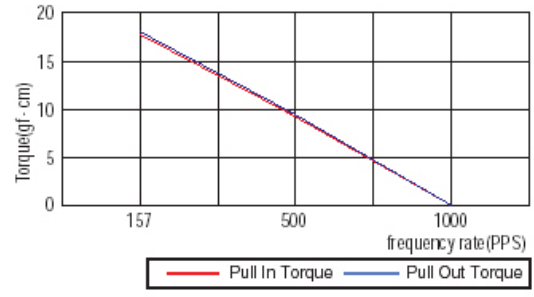
Torque(gf.cm)			Pinion			Lead Wire Ass'y		
Holding	Pull in (PPS)	Pull out (PPS)	Module	PCD	Z	Housing Terminal	L/W	L(mm)
25	-	18(600)	0.25	73.5	14	FPC(PIE) Coverlay 39.5		
40	-	13(800)	0.25	74.25	17	None		
40	-	20/16 (800/1200)	0.3	74.2	14	MOLEX 5264-04 PMOLEX 5263 PBT	UL1007 AWG#26	110
25	-	16(800)	0.25	73.5	14	None		
35	-	19(800)	0.3	74.8	16	MOLEX 51021-0900 MOLEX 50058-8000	UL1685 AWG#30	165
40	-	7(1200)	None			None		
25	-	8(800)	0.35	74.55	13	FPC(SPS15RF 100K 傍佷)		45

Dimensions(mm)



<SP-15RF-070K>

Characteristics



■ Application : Mini Printer, Photo Printer, Camera, DVD-Recorder, Medical Instrument, etc