

PRODUCT

- ▶ 产品介绍
- ▶ 产品特征
- ▶ 用语说明
- ▶ 产品分类

- SPS
- SP
- GSP
- MBV
- MCV

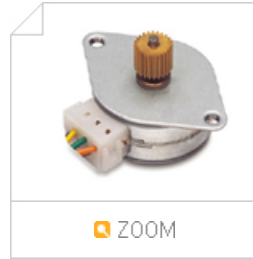
▶ 产品咨询



产品种类

Home > Product > 产品种类 > STEPPING MOTOR > SP-25

SP-25-TYPE

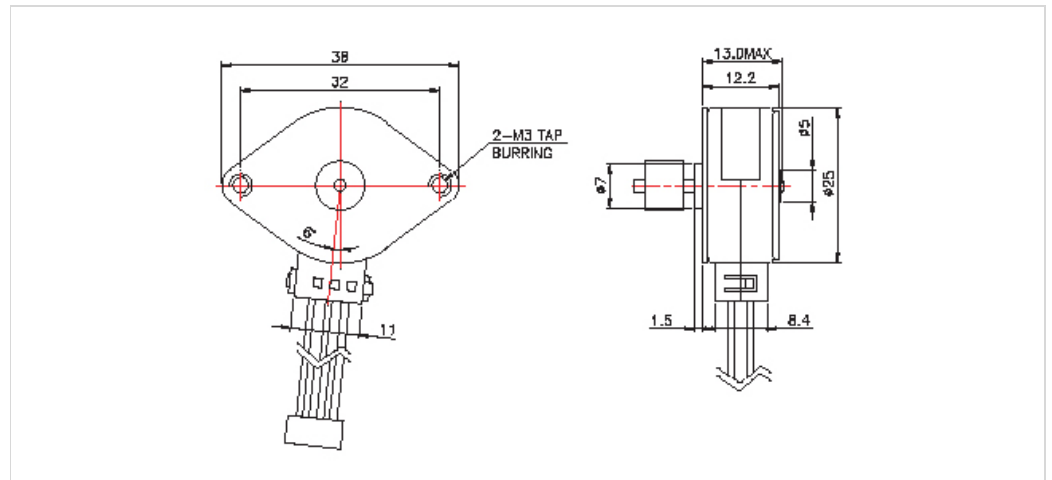


Specification

Series	Step angle	Voltage	Resistance	Phase	Drive Mode	Max. No Load Response (PPS)	Max. Slew Speed (PPS)
	degree	VDC	$\Omega \pm 7\%$				
25RD-030	7.5°	24	65	2-2	unipolar V Const	900	1500
25RD-031		24	60.5				
25RD-200		24	33		Bipolar A Const	1150	1950
25RD-500		24	60				
25RD-300	15°	15	70	unipolar V Const	435	1020	
25RD-400		15	60				440

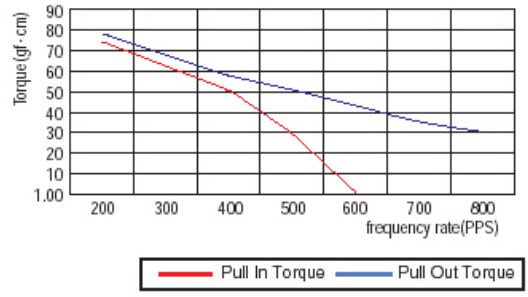
Torque(gf.cm)			Pinion			Lead Wire Ass'y		
Holding	Pull in (PPS)	Pull out (PPS)	Module	PCD	Z	Housing Terminal	L/W	L(mm)
200	95 (900)	110(750)	0.4	Φ4.8	12	JST PHR-6 SHP-002T-P0.5S	UL1061 AWG#28	70
150	-	110(750)	0.5	Φ8.0	16	JST PHR-6 SHP-002T-P0.5S	UL1061 AWG#28	220
120	-	90 (1100)	None			None		
280	110 (600)	140(600)	4	Φ6.0	15	-	UL1061 AWG#26	108
100	50 (300)	27(700)	0.3	Φ7.2	24	JST XHR-6N SXH-001T-P0.6	UL1061 AWG#28	520
110	60 (200)	30/60 (700/400)	0.3	Φ7.2	24	JST XHR-6N SXH-001T-P0.6	UL1095 AWG#26	510

Dimensions(mm)



<SP-25RF-400>

Characteristics



■ Application : Mini Printer, Type Writer, etc