

ST28**USAGE**

Office Machines

Automatic Control Machines

Split Air Conditioner

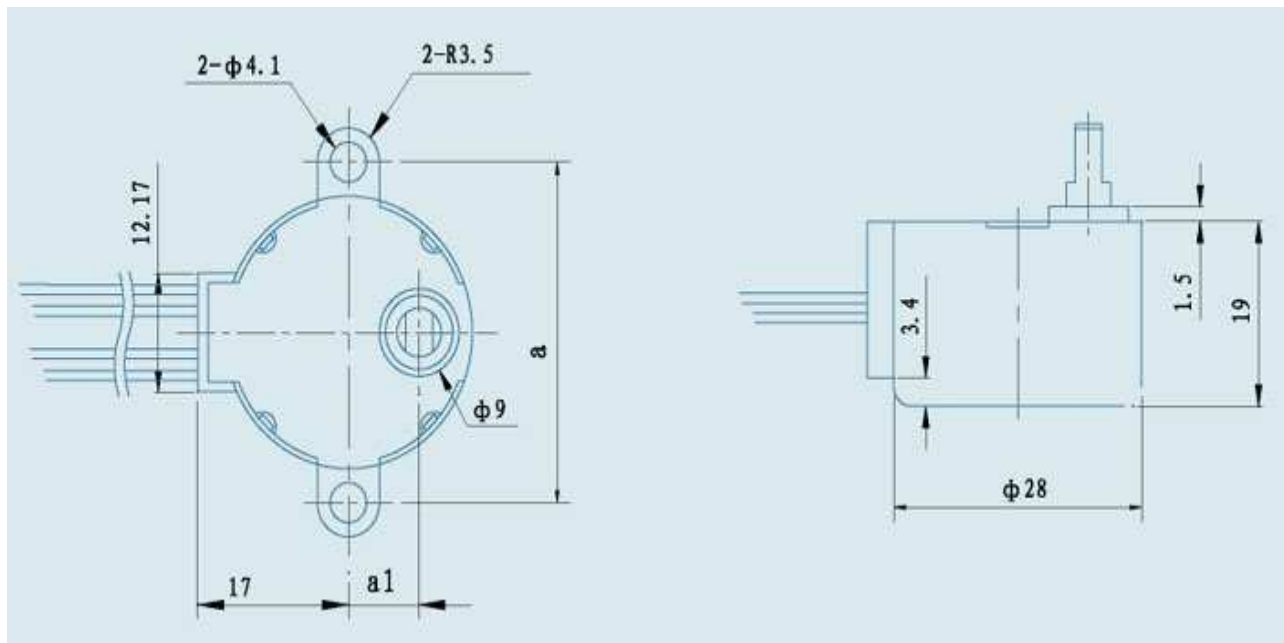
STEPPING MOTOR ST28

USAGE
Office Machines
Automatic Control Machines
Split Air Conditioner

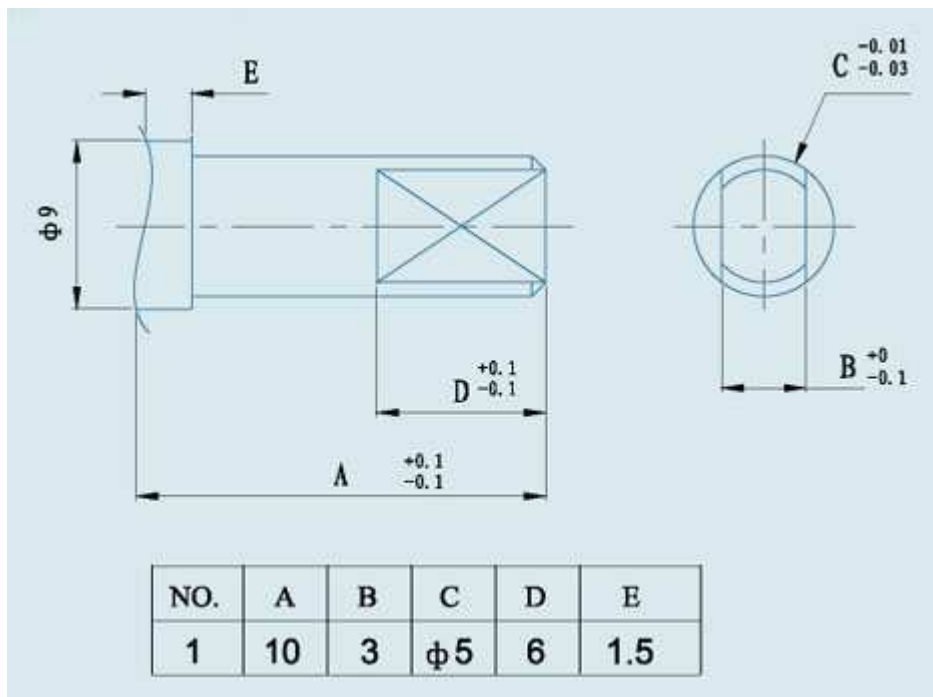
ITEM	Specifications						Unit
Rated Voltage	12						VDC
Current	75	60	48	40	31.5	21.8	mA
Impedance	160	200	250	300	380	550	Ohm
Pull-in Torque (at 100pps)	550	550	450	350	300	240	gf - cm
1 step 1-2 Step Angle	5.625 ϕ X /64						ϕ X
Reduction Ratio	1/64						
Phase	4						
Detent Torque min	350						gf - cm
Max Starting Pulse Rate	550						pps
Max Starting Pulse Rate	900						pps
Insulation Strength	AC 600V-1sec Cut-Off Current :10mA						
Temperature Rise	50						deg
Noise	40						dB
Diameter of Model	Ø28.0						mm

Distance of Model (a)	35.0	39.0	mm
Distance of Model (a1)	8.0	8.0	mm
Height of Model	19.0		mm

1:Dimensions



2:Shaft Type



3:Specification of terminal :

NO.	規格 Specification	出線長度 Length of output wire	端子規格 Terminal specification
1	AWG 1095#28	240 mm	JST SXH-001T-P0.6
2	AWG 1095#28	420 mm	JST SPH-002T-P0.5S
3	AWG 1095#28	420 mm	JST SXH-001T-P0.6
4	AWG 1095#28	1100 mm	JST SXH-001T-P0.6