

Darlington Complementary Silicon Power Transistors



ON Semiconductor®

www.onsemi.com

TIP140, TIP141, TIP142, (NPN); TIP145, TIP146, TIP147, (PNP)

Designed for general-purpose amplifier and low frequency switching applications.

Features

- High DC Current Gain –
 $\text{Min } h_{FE} = 1000 @ I_C = 5.0 \text{ A, } V_{CE} = 4 \text{ V}$
- Collector–Emitter Sustaining Voltage – @ 30 mA
 $V_{CEO(sus)} = 60 \text{ Vdc (Min) – TIP140, TIP145}$
 $= 80 \text{ Vdc (Min) – TIP141, TIP146}$
 $= 100 \text{ Vdc (Min) – TIP142, TIP147}$
- Monolithic Construction with Built–In Base–Emitter Shunt Resistor
- These are Pb–Free Devices*

MAXIMUM RATINGS

| Rating | Symbol | TIP140 TIP145 | TIP141 TIP146 | TIP142 TIP147 | Unit |
|---|----------------|------------------|------------------|------------------|------------------|
| Collector – Emitter Voltage | V_{CEO} | 60 | 80 | 100 | Vdc |
| Collector – Base Voltage | V_{CB} | 60 | 80 | 100 | Vdc |
| Emitter – Base Voltage | V_{EB} | 5.0 | | | Vdc |
| Collector Current – Continuous – Peak (Note 1) | I_C | 10 15 | | | Adc |
| Base Current – Continuous | I_B | 0.5 | | | Adc |
| Total Power Dissipation @ $T_C = 25^\circ\text{C}$ | P_D | 125 | | | W |
| Operating and Storage Junction Temperature Range | T_J, T_{stg} | –65 to +150 | | | $^\circ\text{C}$ |

THERMAL CHARACTERISTICS

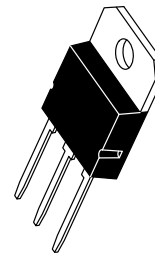
| Characteristic | Symbol | Max | Unit |
|--|-----------------|------|--------------------|
| Thermal Resistance, Junction–to–Case | $R_{\theta JC}$ | 1.0 | $^\circ\text{C/W}$ |
| Thermal Resistance, Junction–to–Ambient | $R_{\theta JA}$ | 35.7 | $^\circ\text{C/W}$ |

Stresses exceeding those listed in the Maximum Ratings table may damage the device. If any of these limits are exceeded, device functionality should not be assumed, damage may occur and reliability may be affected.

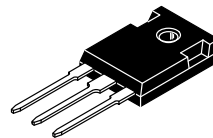
1. 5 ms, $\leq 10\%$ Duty Cycle.

*For additional information on our Pb–Free strategy and soldering details, please download the ON Semiconductor Soldering and Mounting Techniques Reference Manual, SOLDERRM/D.

10 AMPERE DARLINGTON COMPLEMENTARY SILICON POWER TRANSISTORS 60–100 VOLTS, 125 WATTS



SOT–93 (TO–218)
CASE 340D
STYLE 1



TO–247
CASE 340L
STYLE 3

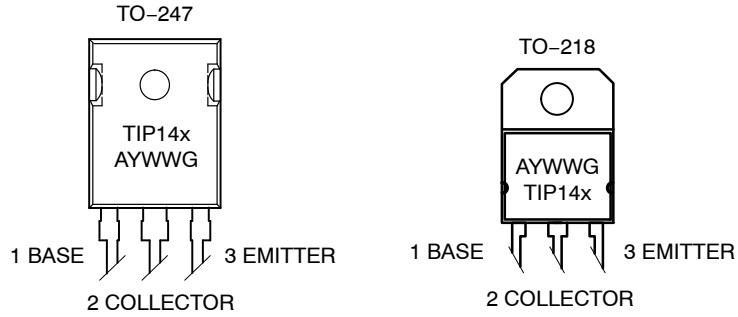
NOTE: Effective June 2012 this device will be available only in the TO–247 package. Reference FPCN# 16827.

ORDERING INFORMATION

See detailed ordering and shipping information in the package dimensions section on page 2 of this data sheet.

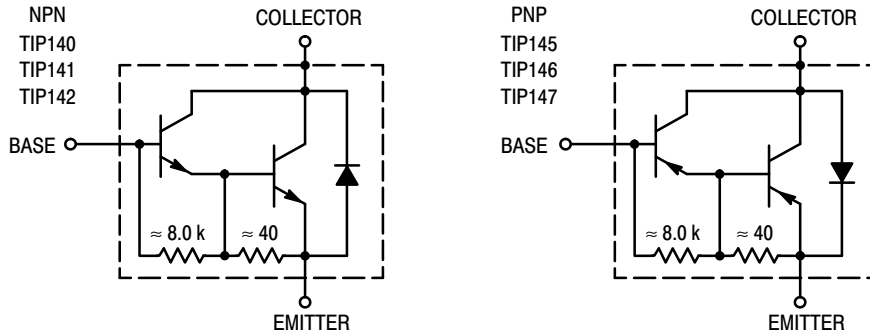
TIP140, TIP141, TIP142, (NPN); TIP145, TIP146, TIP147, (PNP)

MARKING DIAGRAMS



TIP14x = Device Code
 A = Assembly Location
 Y = Year
 WW = Work Week
 G = Pb-Free Package

DARLINGTON SCHEMATICS



ORDERING INFORMATION

| Device | Package | Shipping |
|---------|------------------------------|-----------------|
| TIP140G | SOT-93 (TO-218) (Pb-Free) | 30 Units / Rail |
| TIP141G | SOT-93 (TO-218) (Pb-Free) | 30 Units / Rail |
| TIP142G | SOT-93 (TO-218) (Pb-Free) | 30 Units / Rail |
| TIP145G | SOT-93 (TO-218) (Pb-Free) | 30 Units / Rail |
| TIP146G | SOT-93 (TO-218) (Pb-Free) | 30 Units / Rail |
| TIP147G | SOT-93 (TO-218) (Pb-Free) | 30 Units / Rail |
| TIP140G | TO-247 (Pb-Free) | 30 Units / Rail |
| TIP141G | TO-247 (Pb-Free) | 30 Units / Rail |
| TIP142G | TO-247 (Pb-Free) | 30 Units / Rail |
| TIP145G | TO-247 (Pb-Free) | 30 Units / Rail |
| TIP146G | TO-247 (Pb-Free) | 30 Units / Rail |
| TIP147G | TO-247 (Pb-Free) | 30 Units / Rail |

TIP140, TIP141, TIP142, (NPN); TIP145, TIP146, TIP147, (PNP)

ELECTRICAL CHARACTERISTICS (T_C = 25°C unless otherwise noted)

| Characteristic | Symbol | Min | Typ | Max | Unit |
|--|-----------------------|-----------------|-------------|-------------------|------|
| OFF CHARACTERISTICS | | | | | |
| Collector–Emitter Sustaining Voltage (Note 2) (I _C = 30 mA, I _B = 0) | V _{CEO(sus)} | 60 80 100 | – – – | – – – | Vdc |
| Collector Cutoff Current (V _{CE} = 30 Vdc, I _B = 0) (V _{CE} = 40 Vdc, I _B = 0) (V _{CE} = 50 Vdc, I _B = 0) | I _{CEO} | – – – | – – – | 2.0 2.0 2.0 | mA |
| Collector Cutoff Current (V _{CB} = 60 V, I _E = 0) (V _{CB} = 80 V, I _E = 0) (V _{CB} = 100 V, I _E = 0) | I _{CBO} | – – – | – – – | 1.0 1.0 1.0 | mA |
| Emitter Cutoff Current (V _{BE} = 5.0 V) | I _{EBO} | – | – | 2.0 | mA |

ON CHARACTERISTICS (Note 2)

| | | | | | |
|---|----------------------|-------------|--------|------------|-----|
| DC Current Gain (I _C = 5.0 A, V _{CE} = 4.0 V) (I _C = 10 A, V _{CE} = 4.0 V) | h _{FE} | 1000 500 | – – | – – | – |
| Collector–Emitter Saturation Voltage (I _C = 5.0 A, I _B = 10 mA) (I _C = 10 A, I _B = 40 mA) | V _{CE(sat)} | – – | – – | 2.0 3.0 | Vdc |
| Base–Emitter Saturation Voltage (I _C = 10 A, I _B = 40 mA) | V _{BE(sat)} | – | – | 3.5 | Vdc |
| Base–Emitter On Voltage (I _C = 10 A, V _{CE} = 4.0 Vdc) | V _{BE(on)} | – | – | 3.0 | Vdc |

SWITCHING CHARACTERISTICS

| Resistive Load (See Figure 1) | | | | | | |
|-------------------------------|--|----------------|---|------|---|----|
| Delay Time | (V _{CC} = 30 V, I _C = 5.0 A, I _B = 20 mA, Duty Cycle ≤ 2.0%, I _{B1} = I _{B2} , R _C & R _B Varied, T _J = 25°C) | t _d | – | 0.15 | – | μs |
| Rise Time | | t _r | – | 0.55 | – | μs |
| Storage Time | | t _s | – | 2.5 | – | μs |
| Fall Time | | t _f | – | 2.5 | – | μs |

2. Pulse Test: Pulse Width = 300 μs, Duty Cycle ≤ 2.0%.

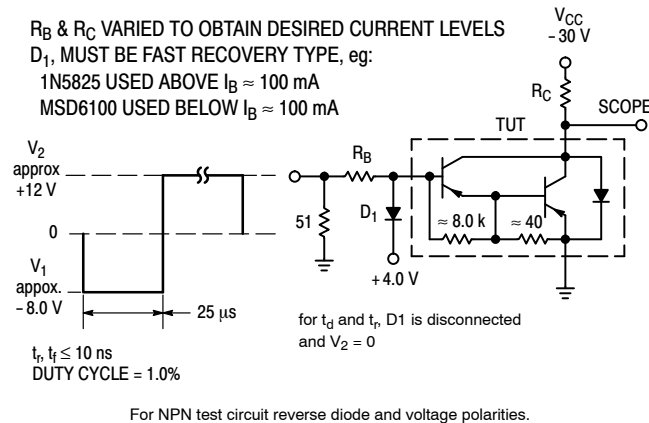


Figure 1. Switching Times Test Circuit

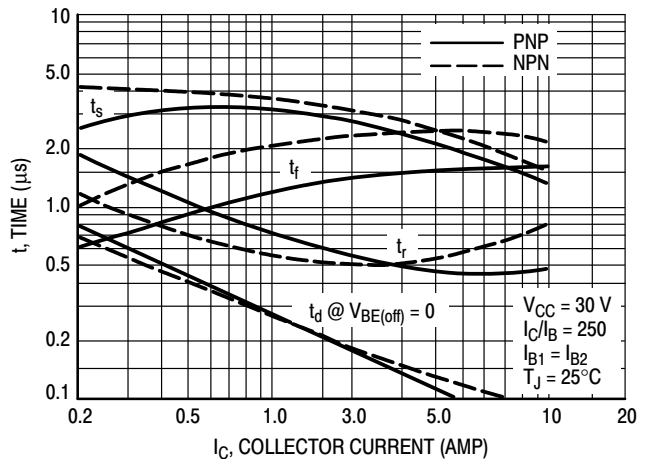


Figure 2. Switching Times

TIP140, TIP141, TIP142, (NPN); TIP145, TIP146, TIP147, (PNP)

TYPICAL CHARACTERISTICS

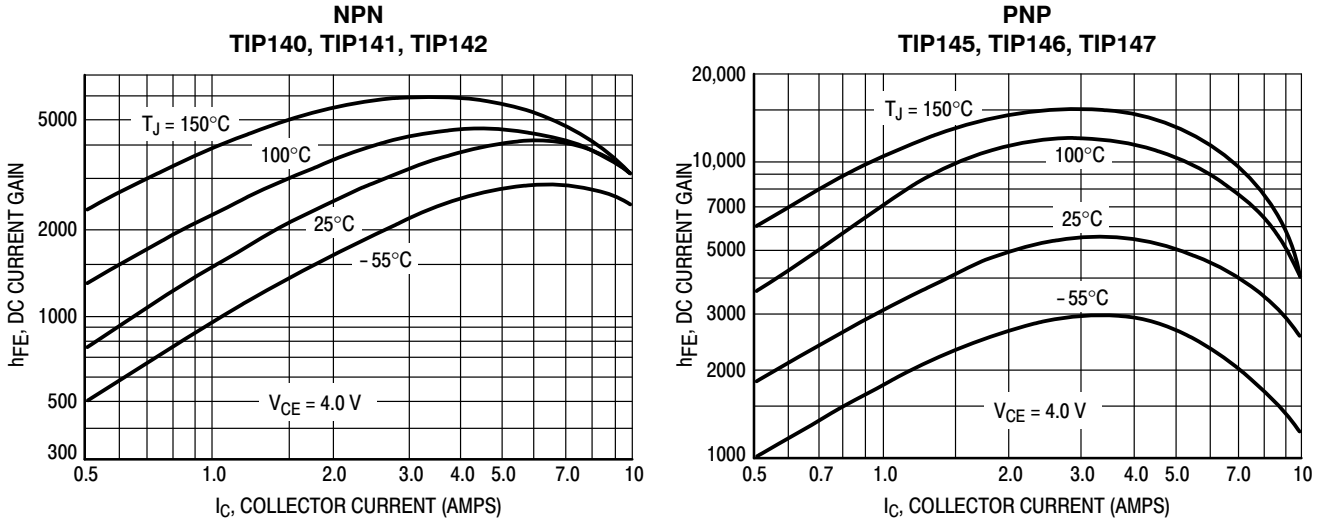


Figure 3. DC Current Gain versus Collector Current

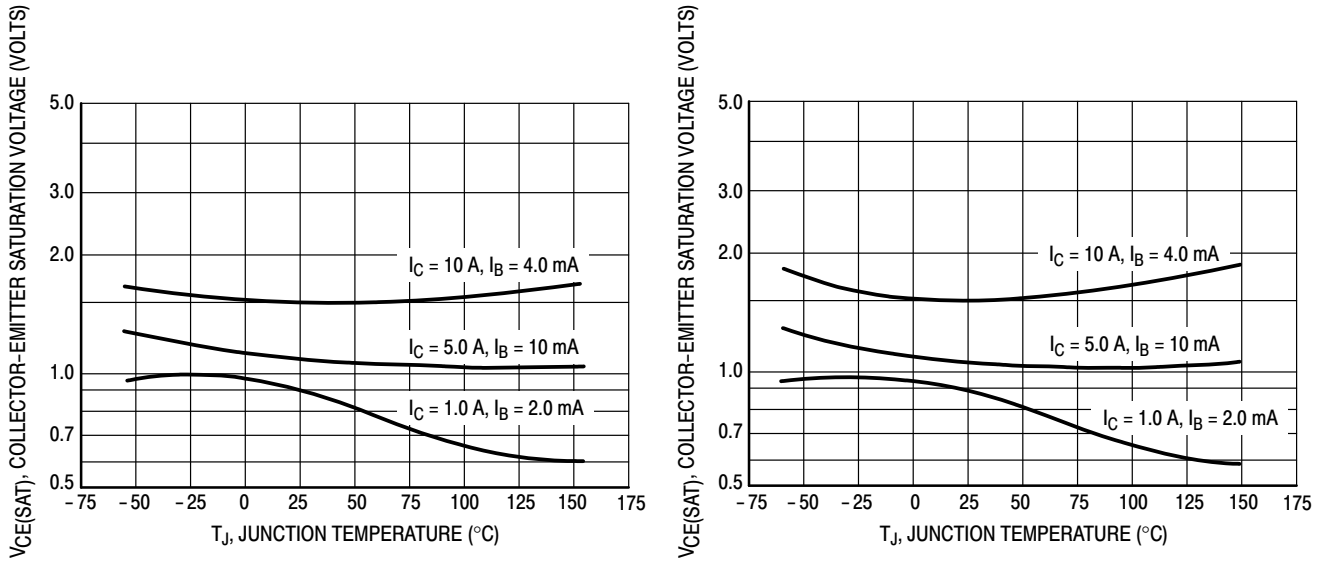


Figure 4. Collector-Emitter Saturation Voltage

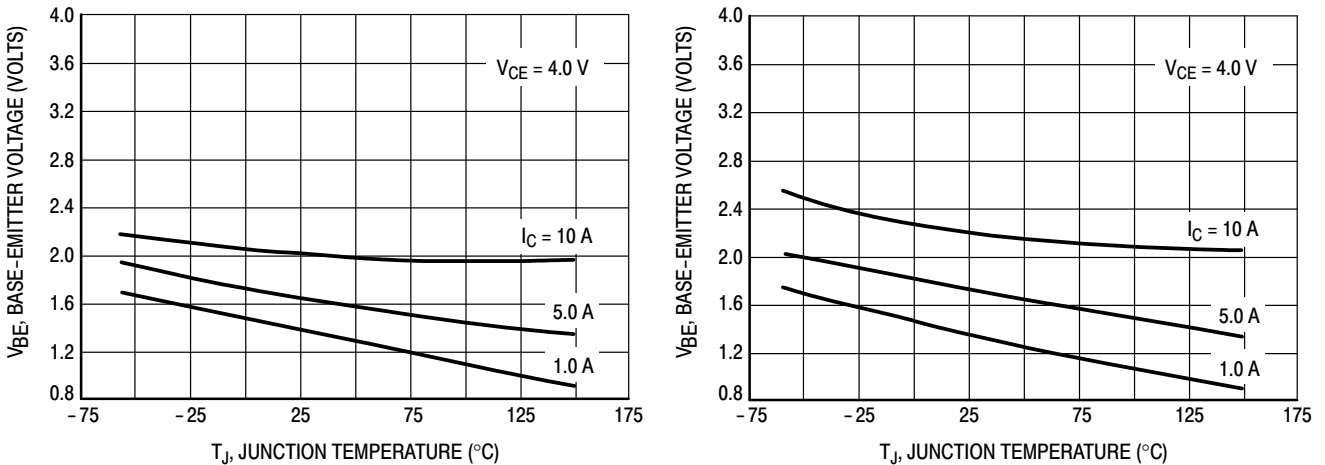


Figure 5. Base-Emitter Voltage

TIP140, TIP141, TIP142, (NPN); TIP145, TIP146, TIP147, (PNP)

ACTIVE-REGION SAFE OPERATING AREA

There are two limitations on the power handling ability of a transistor: average junction temperature and second breakdown. Safe operating area curves indicate $I_C - V_{CE}$ limits of the transistor that must be observed for reliable operation; i.e., the transistor must not be subjected to greater dissipation than the curves indicate.

The data of Figure 6 is based on $T_{J(pk)} = 150^\circ\text{C}$; T_C is variable depending on conditions. At high case temperatures, thermal limitations will reduce the power that can be handled to values less than the limitations imposed by second breakdown.

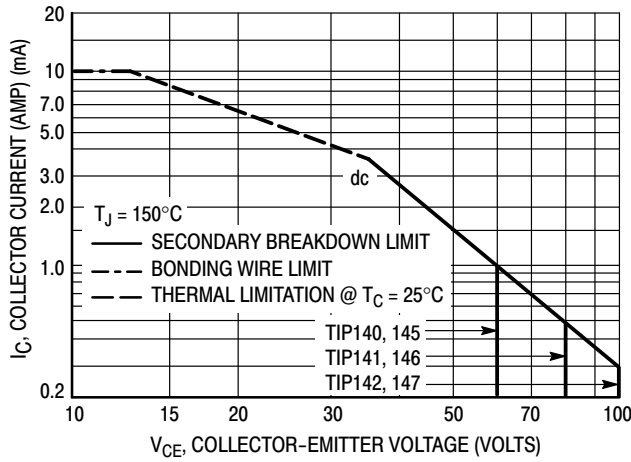


Figure 6. Active-Region Safe Operating Area

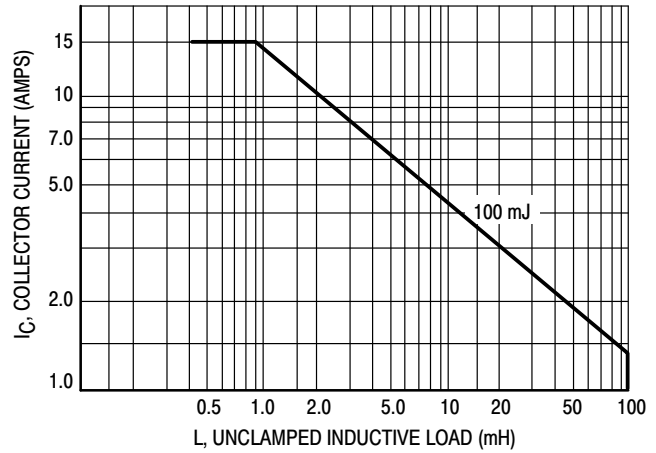
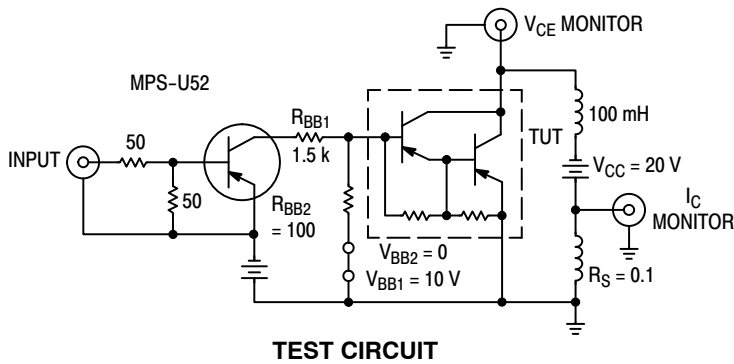
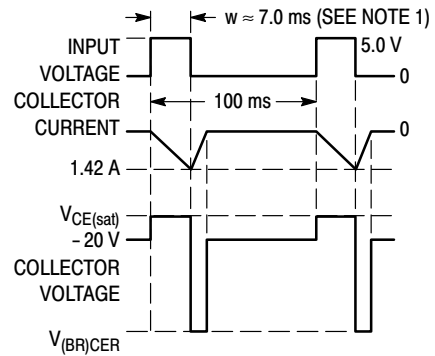


Figure 7. Unclamped Inductive Load



TEST CIRCUIT

NOTE 1: Input pulse width is increased until $I_{CM} = 1.42\text{ A}$.
NOTE 2: For NPN test circuit reverse polarities.



VOLTAGE AND CURRENT WAVEFORMS

Figure 8. Inductive Load

TIP140, TIP141, TIP142, (NPN); TIP145, TIP146, TIP147, (PNP)

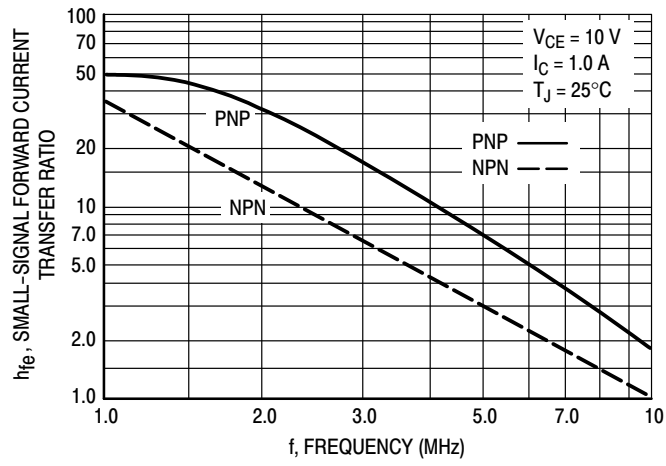


Figure 9. Magnitude of Common Emitter Small-Signal Short-Circuit Forward Current Transfer Ratio

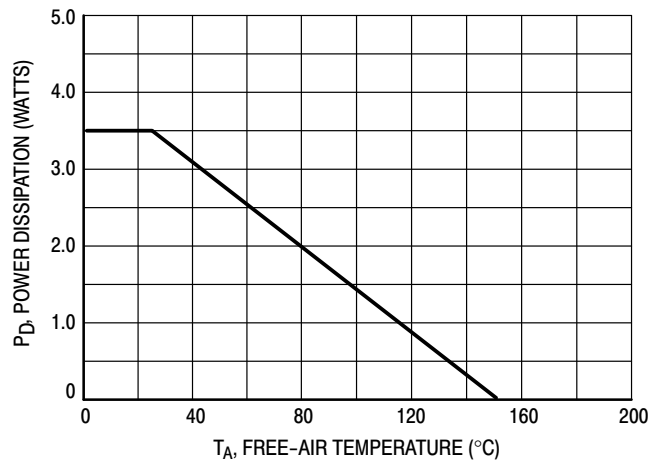


Figure 10. Free-Air Temperature Power Derating

MECHANICAL CASE OUTLINE

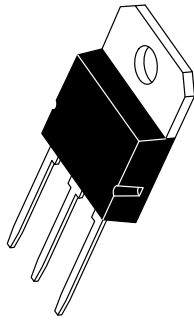
PACKAGE DIMENSIONS

ON Semiconductor®

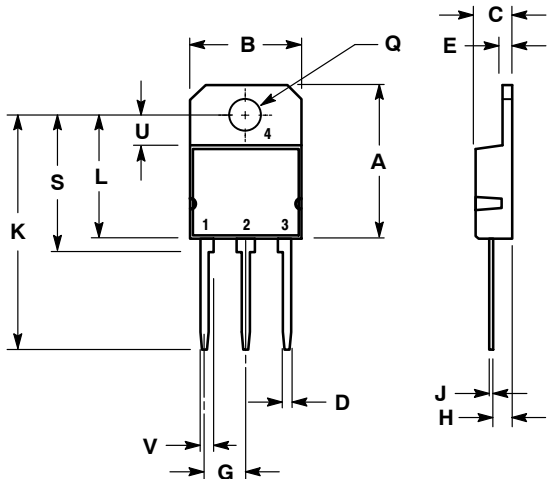


SOT-93 (TO-218) CASE 340D-02 ISSUE E

DATE 01/03/2002



SCALE 1:1



STYLE 1:
PIN 1. BASE
2. COLLECTOR
3. EMITTER
4. COLLECTOR

STYLE 2:
PIN 1. ANODE
2. CATHODE
3. ANODE
4. CATHODE

- NOTES:
1. DIMENSIONING AND TOLERANCING PER ANSI Y14.5M, 1982.
2. CONTROLLING DIMENSION: MILLIMETER.

| DIM | MILLIMETERS | | INCHES | |
|-----|-------------|-------|-----------|-------|
| | MIN | MAX | MIN | MAX |
| A | --- | 20.35 | --- | 0.801 |
| B | 14.70 | 15.20 | 0.579 | 0.598 |
| C | 4.70 | 4.90 | 0.185 | 0.193 |
| D | 1.10 | 1.30 | 0.043 | 0.051 |
| E | 1.17 | 1.37 | 0.046 | 0.054 |
| G | 5.40 | 5.55 | 0.213 | 0.219 |
| H | 2.00 | 3.00 | 0.079 | 0.118 |
| J | 0.50 | 0.78 | 0.020 | 0.031 |
| K | 31.00 REF | | 1.220 REF | |
| L | --- | 16.20 | --- | 0.638 |
| Q | 4.00 | 4.10 | 0.158 | 0.161 |
| S | 17.80 | 18.20 | 0.701 | 0.717 |
| U | 4.00 REF | | 0.157 REF | |
| V | 1.75 REF | | 0.069 | |

MARKING DIAGRAM

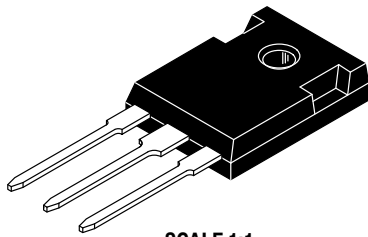


A = Assembly Location
Y = Year
WW = Work Week
xxxxx = Device Code

| | | |
|------------------|-------------|--|
| DOCUMENT NUMBER: | 98ASB42643B | Electronic versions are uncontrolled except when accessed directly from the Document Repository. Printed versions are uncontrolled except when stamped "CONTROLLED COPY" in red. |
| DESCRIPTION: | SOT-93 | PAGE 1 OF 1 |

ON Semiconductor and are trademarks of Semiconductor Components Industries, LLC dba ON Semiconductor or its subsidiaries in the United States and/or other countries. ON Semiconductor reserves the right to make changes without further notice to any products herein. ON Semiconductor makes no warranty, representation or guarantee regarding the suitability of its products for any particular purpose, nor does ON Semiconductor assume any liability arising out of the application or use of any product or circuit, and specifically disclaims any and all liability, including without limitation special, consequential or incidental damages. ON Semiconductor does not convey any license under its patent rights nor the rights of others.

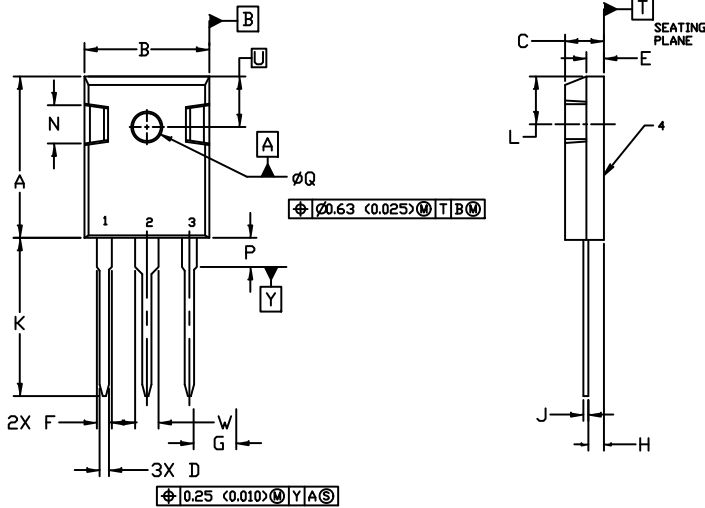
MECHANICAL CASE OUTLINE PACKAGE DIMENSIONS



TO-247
CASE 340L
ISSUE G

DATE 06 OCT 2021

SCALE 1:1

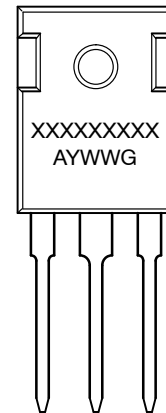


NOTES:

1. DIMENSIONING AND TOLERANCING PER ASME Y14.5M, 1982.
2. CONTROLLING DIMENSION: MILLIMETER

| DIM | MILLIMETERS | | INCHES | |
|-----|-------------|-------|-----------|-------|
| | MIN. | MAX. | MIN. | MAX. |
| A | 20.32 | 21.08 | 0.800 | 0.830 |
| B | 15.75 | 16.26 | 0.620 | 0.640 |
| C | 4.70 | 5.30 | 0.185 | 0.209 |
| D | 1.00 | 1.40 | 0.040 | 0.055 |
| E | 1.90 | 2.60 | 0.075 | 0.102 |
| F | 1.65 | 2.13 | 0.065 | 0.084 |
| G | 5.45 BSC | | 0.215 BSC | |
| H | 1.50 | 2.49 | 0.059 | 0.098 |
| J | 0.40 | 0.80 | 0.016 | 0.031 |
| K | 19.81 | 20.83 | 0.780 | 0.820 |
| L | 5.40 | 6.20 | 0.212 | 0.244 |
| N | 4.32 | 5.49 | 0.170 | 0.216 |
| P | ---- | 4.50 | ---- | 0.177 |
| Q | 3.55 | 3.65 | 0.140 | 0.144 |
| U | 6.15 BSC | | 0.242 BSC | |
| W | 2.87 | 3.12 | 0.113 | 0.123 |

GENERIC
MARKING DIAGRAM*



- | | | | |
|--|--|--|--|
| <p>STYLE 1: PIN 1. GATE 2. DRAIN 3. SOURCE 4. DRAIN</p> | <p>STYLE 2: PIN 1. ANODE 2. CATHODE (S) 3. ANODE 2 4. CATHODES (S)</p> | <p>STYLE 3: PIN 1. BASE 2. COLLECTOR 3. EMITTER 4. COLLECTOR</p> | <p>STYLE 4: PIN 1. GATE 2. COLLECTOR 3. EMITTER 4. COLLECTOR</p> |
| <p>STYLE 5: PIN 1. CATHODE 2. ANODE 3. GATE 4. ANODE</p> | <p>STYLE 6: PIN 1. MAIN TERMINAL 1 2. MAIN TERMINAL 2 3. GATE 4. MAIN TERMINAL 2</p> | | |

- XXXXXX = Specific Device Code
A = Assembly Location
Y = Year
WW = Work Week
G = Pb-Free Package

*This information is generic. Please refer to device data sheet for actual part marking. Pb-Free indicator, "G" or microdot "▪", may or may not be present. Some products may not follow the Generic Marking.

| | | |
|------------------|-------------|--|
| DOCUMENT NUMBER: | 98ASB15080C | Electronic versions are uncontrolled except when accessed directly from the Document Repository. Printed versions are uncontrolled except when stamped "CONTROLLED COPY" in red. |
| DESCRIPTION: | TO-247 | PAGE 1 OF 1 |

onsemi and ONSEMI are trademarks of Semiconductor Components Industries, LLC dba onsemi or its subsidiaries in the United States and/or other countries. onsemi reserves the right to make changes without further notice to any products herein. onsemi makes no warranty, representation or guarantee regarding the suitability of its products for any particular purpose, nor does onsemi assume any liability arising out of the application or use of any product or circuit, and specifically disclaims any and all liability, including without limitation special, consequential or incidental damages. onsemi does not convey any license under its patent rights nor the rights of others.

onsemi, **Onsemi**, and other names, marks, and brands are registered and/or common law trademarks of Semiconductor Components Industries, LLC dba "**onsemi**" or its affiliates and/or subsidiaries in the United States and/or other countries. **onsemi** owns the rights to a number of patents, trademarks, copyrights, trade secrets, and other intellectual property. A listing of **onsemi**'s product/patent coverage may be accessed at www.onsemi.com/site/pdf/Patent-Marking.pdf. **onsemi** reserves the right to make changes at any time to any products or information herein, without notice. The information herein is provided "as-is" and **onsemi** makes no warranty, representation or guarantee regarding the accuracy of the information, product features, availability, functionality, or suitability of its products for any particular purpose, nor does **onsemi** assume any liability arising out of the application or use of any product or circuit, and specifically disclaims any and all liability, including without limitation special, consequential or incidental damages. Buyer is responsible for its products and applications using **onsemi** products, including compliance with all laws, regulations and safety requirements or standards, regardless of any support or applications information provided by **onsemi**. "Typical" parameters which may be provided in **onsemi** data sheets and/or specifications can and do vary in different applications and actual performance may vary over time. All operating parameters, including "Typicals" must be validated for each customer application by customer's technical experts. **onsemi** does not convey any license under any of its intellectual property rights nor the rights of others. **onsemi** products are not designed, intended, or authorized for use as a critical component in life support systems or any FDA Class 3 medical devices or medical devices with a same or similar classification in a foreign jurisdiction or any devices intended for implantation in the human body. Should Buyer purchase or use **onsemi** products for any such unintended or unauthorized application, Buyer shall indemnify and hold **onsemi** and its officers, employees, subsidiaries, affiliates, and distributors harmless against all claims, costs, damages, and expenses, and reasonable attorney fees arising out of, directly or indirectly, any claim of personal injury or death associated with such unintended or unauthorized use, even if such claim alleges that **onsemi** was negligent regarding the design or manufacture of the part. **onsemi** is an Equal Opportunity/Affirmative Action Employer. This literature is subject to all applicable copyright laws and is not for resale in any manner.

PUBLICATION ORDERING INFORMATION

LITERATURE FULFILLMENT:

Email Requests to: orderlit@onsemi.com

onsemi Website: www.onsemi.com

TECHNICAL SUPPORT

North American Technical Support:

Voice Mail: 1 800-282-9855 Toll Free USA/Canada

Phone: 011 421 33 790 2910

Europe, Middle East and Africa Technical Support:

Phone: 00421 33 790 2910

For additional information, please contact your local Sales Representative

Mouser Electronics

Authorized Distributor

Click to View Pricing, Inventory, Delivery & Lifecycle Information:

[onsemi:](#)

[TIP141G](#) [TIP147G](#) [TIP140](#) [TIP140G](#) [TIP141](#) [TIP142](#) [TIP142G](#) [TIP145](#) [TIP145G](#) [TIP146](#) [TIP146G](#) [TIP147](#)