

Silicon NPN SMD triode;

1: base 2: emitter 3: collector

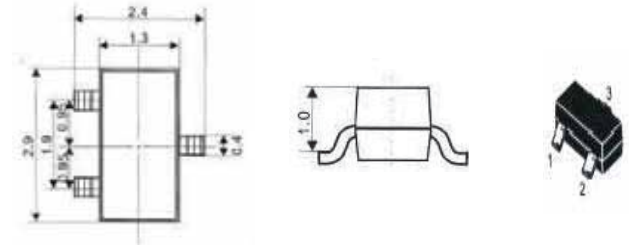
encapsulation mode: SOT-23

Marking code: BC817

Classification of hFE

Rank	BC817-16	BC817-25	BC817-40
Range	100-250	160-400	250-600
Marking	6A	6B	6C

Outline example



Maximum ratings ($T_a=25^\circ\text{C}$ unless otherwise noted)

Parameter	Symbol	Value	Unit
Collector-Base Breakdown Voltage	V _{CB0}	50	V
Collector-Emitter Breakdown Voltage	V _{CE0}	45	V
Emitter-Base Breakdown Voltage	V _{EB0}	5	V
Collector Current	I _C	500	mA
Collector Power Dissipation	P _C	300	mW
Junction Temperature	T _J	-65~150	°C
Storage Temperature	T _{stg}	-65~150	°C

Electrical Characteristics ($T_a=25^\circ\text{C}$ unless otherwise noted)

Parameter	Symbol	Test Condition	Min	Max	Unit
Collector-Base Breakdown Voltage	V _{CB0}	I _C =100μA I _E =0	50		V
Collector-Emitter Breakdown Voltage	V _{CE0}	I _C =1mA I _B =0	45		V
Emitter-Base Breakdown Voltage	V _{EB0}	I _E =100μA I _C =0	5		V
Collector Cutoff Current	I _{CB0}	V _{CB} =50V I _E =0		100	nA
Collector Cutoff Current	I _{CE0}	V _{CE} =45V I _B =0		100	nA
Emitter Cutoff Current	I _{EB0}	V _{EB} =5V I _B =0		100	nA
DC Current Gain	HFE(A)	V _{CE} =1V I _C =100mA	100	600	
	HFE(B)	V _{CE} =1V I _C =500mA	40		
Collector-Emitter Saturation Voltage	V _{CE(sat)}	I _C =500mA I _B =50mA		0.7	V
Collector-Base Saturation Voltage	V _{BE(sat)}	I _C =500mA I _B =50mA		1.2	V
Base-Emitter Voltage	V _{BE(on)}	I _C =500mA V _{CE} =1V		1.2	V
transition frequency	f _T	V _{CE} =5V I _C =10mA f=100MHz	100		MHz

REEL TAPING SPECIFICATIONS FOR SURFACE MOUNT DEVICES-SOT-23

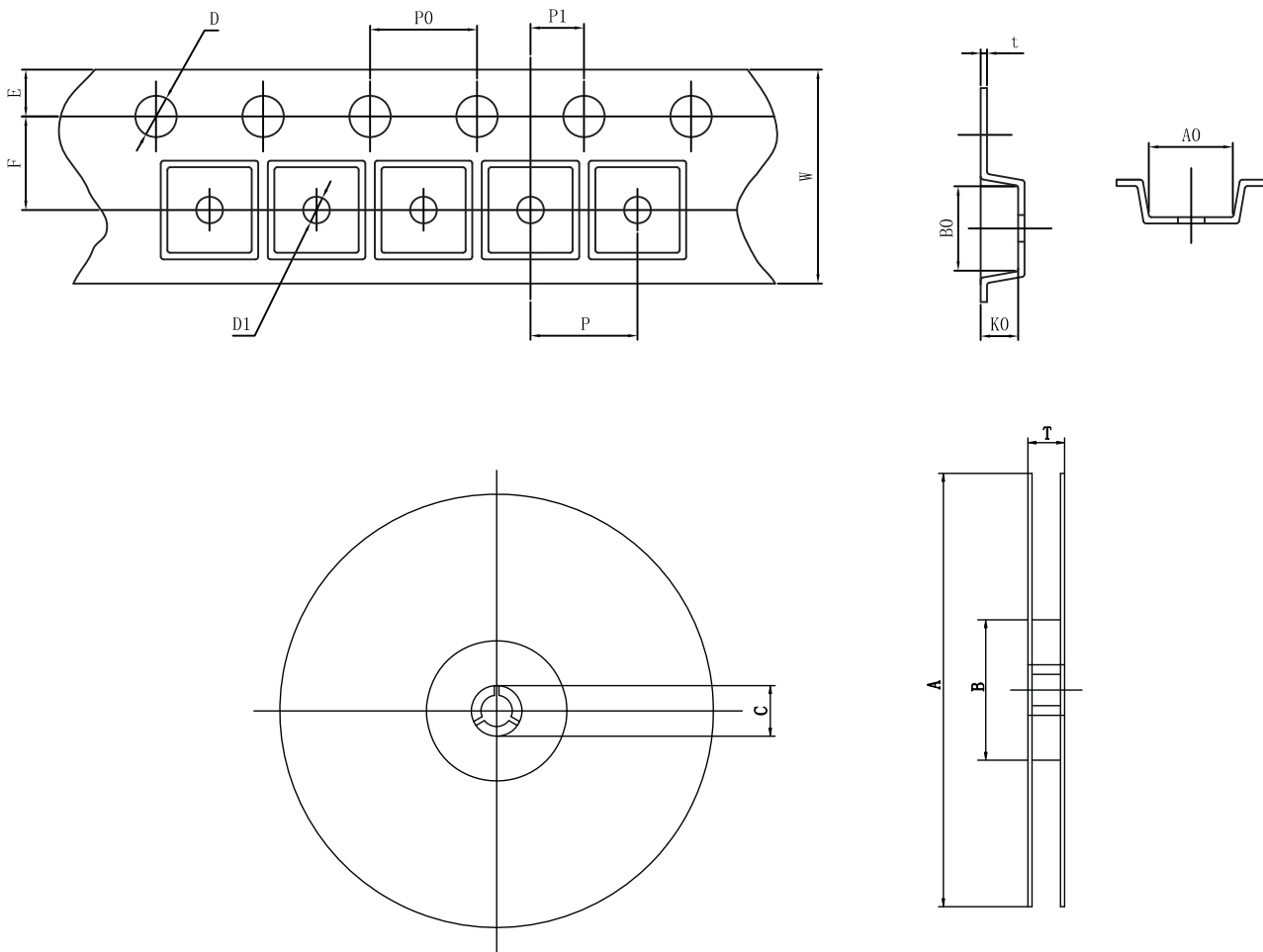


Fig.: Configuration of SOT-23 TAPING

ITEM	SYMBOL	SPECIFICATIONS (mm)	SPECIFICATIONS (inch)
Carrier width	A0	3.25 Max.	0.128 Max.
Carrier length	B0	2.87 Max.	0.113 Max.
Carrier depth	K0	1.32 Max.	0.052 Max.
Sprocket hole	D	1.5+0.1/0	0.059+0.004/0
Reel outside diameter	A	178±1.0	7.009±0.039
Reel inner diameter	B	54 Min.	2.126 Min.
Feed hole diameter	C	13.0±0.20	0.512±0.008
Sprocket hole position	E	1.75±0.10	0.069±0.004
Punch hole position	F	3.5±0.05	0.138±0.002
Punch hole pitch	P	4.0±0.10	0.158±0.004
Sprocket hole pitch	P0	4.0±0.10	0.158±0.004
Embossment center	P1	2.0±0.05	0.079±0.002
Overall tape thickness	t	0.242 Max.	0.010 Max.
Tape width	W	8.0+0.3/-0.1	0.315+0.012/-0.004
Reel width	T	12.5 Max.	0.492 Max.
Punch hole diameter	D1	1.05 Max.	0.041 Max.

Note : Devices are packed in accordance with EIA standard RS-481-A and specification given above. Available only for SOT-23 devices.

PACKAGING OF DIODE

REEL PACK

PACKAGE	PACKING CODE	REEL (EA)	COMPONENT SPACE(mm)	TAPE SPACE (mm)	REEL DIA (mm)	CARTON SIZE (mm)	EA PER CARTON	GROSS WEIGHT(Kg)
SOT-23/-3L	-T	3,000	---	---	178	438*438*220	180,000	---

DISCLAIMER NOTICE

Rectron Inc reserves the right to make changes without notice to any product specification herein, to make corrections, modifications, enhancements or other changes. Rectron Inc or anyone on its behalf assumes no responsibility or liability for any errors or inaccuracies. Data sheet specifications and its information contained are intended to provide a product description only. "Typical" parameters which may be included on RECTRON data sheets and/ or specifications can and do vary in different applications and actual performance may vary over time. Rectron Inc does not assume any liability arising out of the application or use of any product or circuit.

Rectron products are not designed, intended or authorized for use in medical, life-saving implant or other applications intended for life-sustaining or other related applications where a failure or malfunction of component or circuitry may directly or indirectly cause injury or threaten a life without expressed written approval of Rectron Inc. Customers using or selling Rectron components for use in such applications do so at their own risk and shall agree to fully indemnify Rectron Inc and its subsidiaries harmless against all claims, damages and expenditures.

Mouser Electronics

Authorized Distributor

Click to View Pricing, Inventory, Delivery & Lifecycle Information:

[Rectron:](#)

[BC817](#)