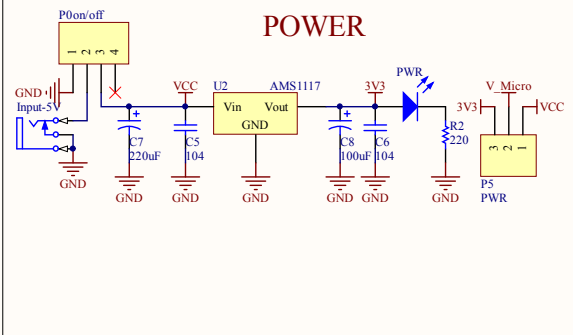
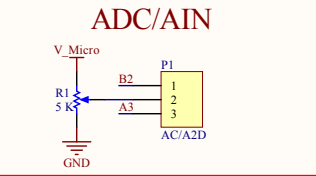


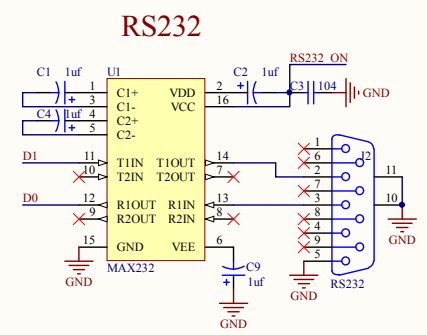
POWER



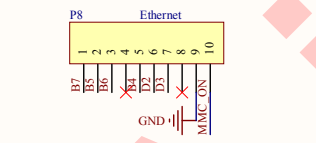
ADC/AIN



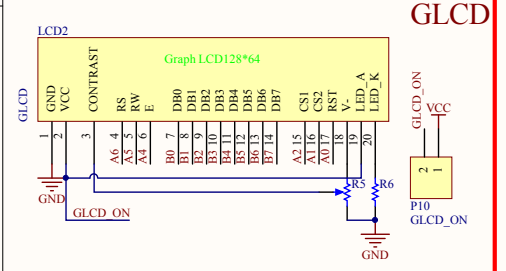
RS232



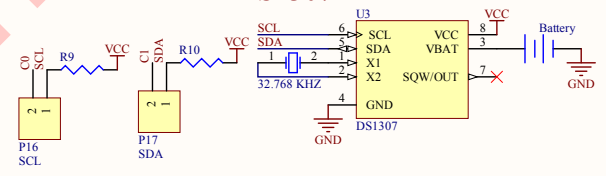
Ethernet



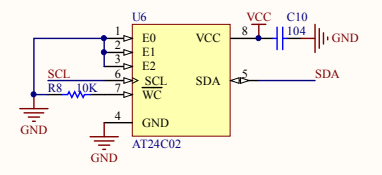
GLCD



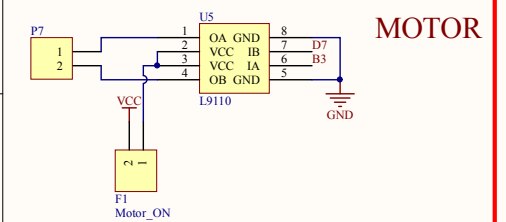
DS1307



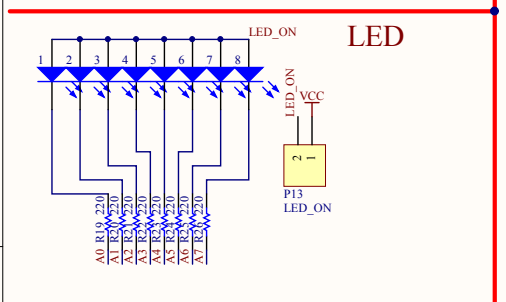
EEPROM



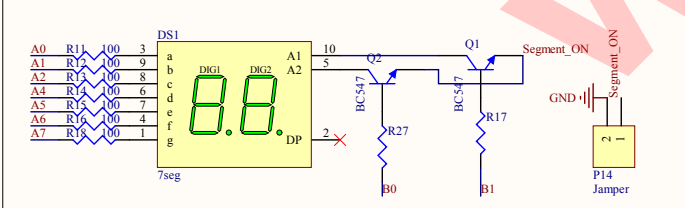
MOTOR



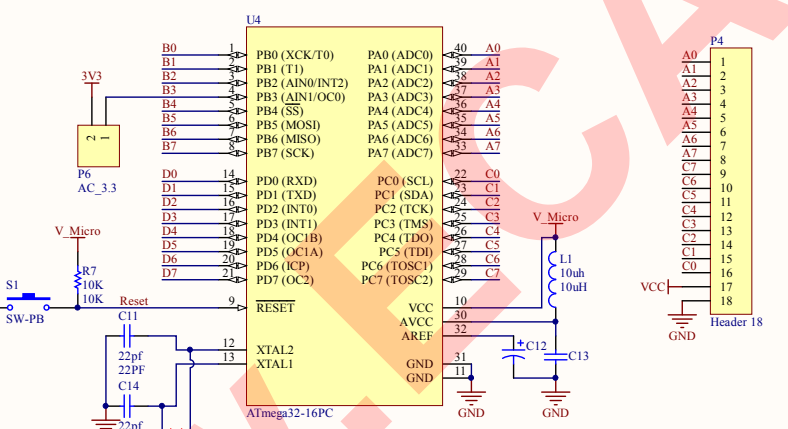
LED



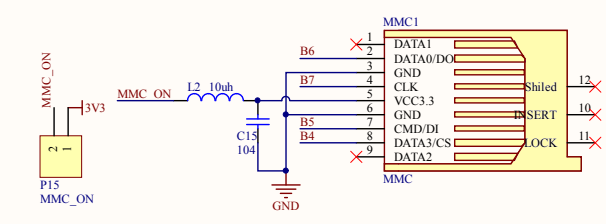
7SEGMENT



MCU



MMC SD



KEYPAD

